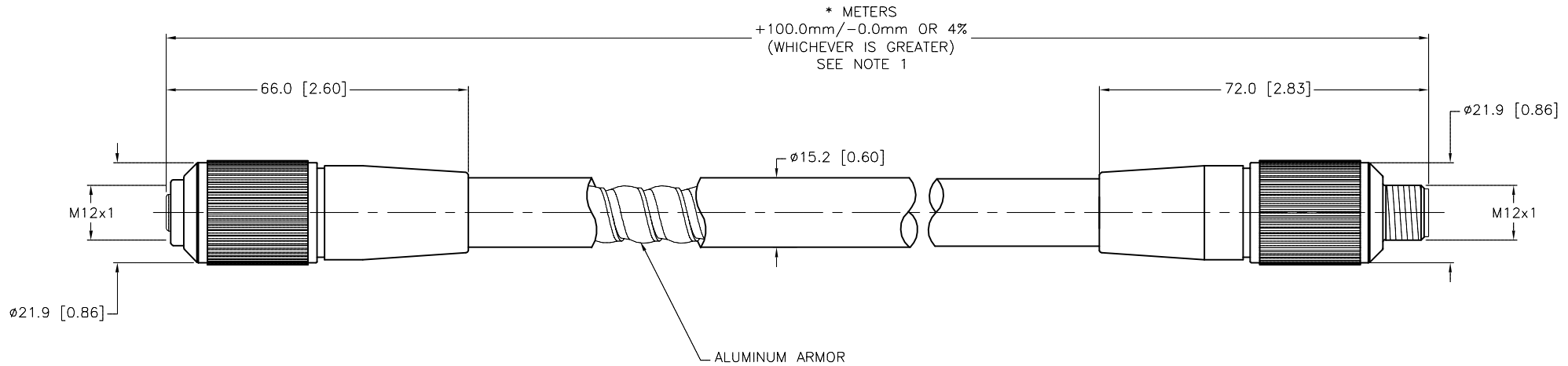


| SPECIFICATIONS                |                                   |
|-------------------------------|-----------------------------------|
| CONTACT CARRIER MATERIAL      | TPU                               |
| MOLDED HEAD MATERIAL/COLOR    | TPU/YELLOW                        |
| CONTACT MATERIAL/PLATING      | BRASS/GOLD                        |
| COUPLING NUT MATERIAL/PLATING | BRASS/NICKEL                      |
| RATED CURRENT [A]             | 4.0 A                             |
| RATED VOLTAGE [V]             | 250 V                             |
| OUTER JACKET MATERIAL/COLOR   | PVC/YELLOW                        |
| CONDUCTOR INSULATION MATERIAL | PVC/NYLON (NYLON OVERCOAT)        |
| NUMBER OF CONDUCTORS [AWG]    | 4x18 AWG                          |
| SHIELDING                     | INTER-LOCKING ALUMINUM ARMOR      |
| TEMPERATURE RANGE             | -40°C TO +105°C (-40°F TO +221°F) |
| PROTECTION CLASS              | NEMA 1,3,4,6P AND IEC IP68, IP69K |



NOTES:

- "\*" INDICATES CABLE LENGTH IN METERS. CONTACT TURCK TO ORDER SPECIFIC LENGTHS.
- CABLE ARMOR IS CONNECTED TO THE COUPLING NUT(S).

SOURCE DRAWING - FOR REFERENCE ONLY

|                   |  |   |          |  |  |                    |  |  |  |
|-------------------|--|---|----------|--|--|--------------------|--|--|--|
| RELATED DOCUMENTS |  | 3RD ANGLE PROJECTION  |          | THIS DRAWING IS CONFIDENTIAL AND THE PROPERTY OF TURCK INC. USE OF THIS DOCUMENT WITHOUT WRITTEN PERMISSION IS PROHIBITED. |  |                    |  | 3000 CAMPUS DRIVE<br>MINNEAPOLIS, MN 55441<br>1-800-544-7769<br>(763) 553-7300<br>(763) 553-0708 fax<br>www.turck.us |  |
| 1.                |  |   |          | DRFT PJ  |  | DATE 07/20/05      |  | DESCRIPTION<br>RKA 4.4A-*--RSA 4.4A  |  |
| 2.                |  |   |          | APVD PLJ   |  | SCALE 1=1.3        |  |  |  |
| 3.                |  | ALL DIMENSIONS DISPLAYED ON THIS DRAWING ARE FOR REFERENCE ONLY |          | UNIT OF MEASUREMENT<br><b>MILLIMETER [ INCH ]</b>  |  | IDENTIFICATION NO. |  | REV<br>  |  |
| 4.                |  |   |          |  |  |                    |  |  |  |
| MATERIAL          |  | CONTACT TURCK FOR MORE INFORMATION                              |          | DO NOT SCALE THIS DRAWING  |  | FILE: 777011235    |  | SHEET 1 OF 1   |  |
| FINISH            |  |   |          |  |  |                    |  |  |  |
| I                 | UPDATED GRN CONDUCTOR TO GRN/YEL PER ECO | TV  | 07/31/17 | 60737  |  |                    |  |  |  |
| REV               | DESCRIPTION                              | BY  | DATE     | ECO NO.  |  |                    |  |  |  |