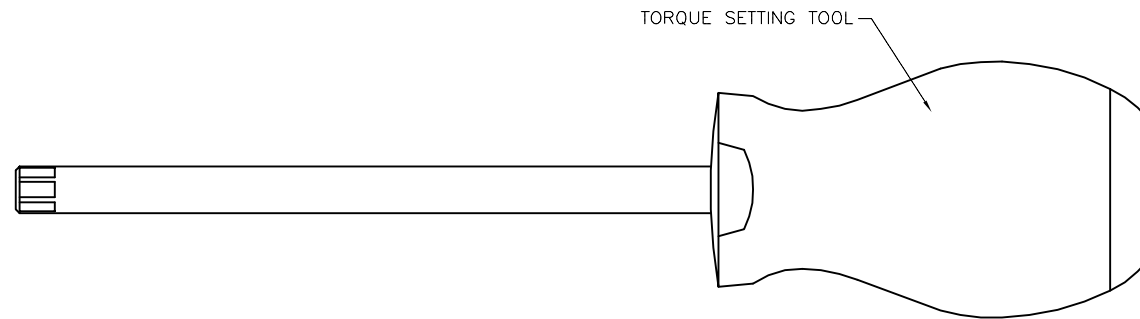


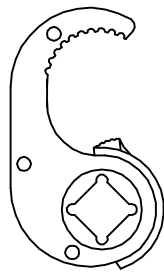
1/4" INTERCHANGEABLE BLADE

TORQUE DRIVER

**TURCK**



TORQUE SETTING TOOL



**SCREWTY  
M12  
FITTING**

**SOURCE DRAWING - FOR REFERENCE ONLY**

THE TORQUE WRENCH SET CONTAINS THE FOLLOWING:

- 1 - INTERCHANGEABLE BLADE
- 1 - TORQUE DRIVER
- 1 - SCREWTY M12 FITTING
- 1 - TORQUE SETTING TOOL

RELATED DOCUMENTS		3RD ANGLE PROJECTION		THIS DRAWING IS CONFIDENTIAL AND THE PROPERTY OF TURCK INC. USE OF THIS DOCUMENT WITHOUT WRITTEN PERMISSION IS PROHIBITED.		<b>TURCK</b> 3000 CAMPUS DRIVE MINNEAPOLIS, MN 55441 1-800-544-7769 (763) 553-7300 (763) 553-0708 fax www.turck.us	
1. 2. 3. 4.				DRFT RDS	DATE 10/31/18	DESCRIPTION TORQUE-WRENCH-SET-M12-LEGACY	
MATERIAL SEE SPECIFICATIONS		ALL DIMENSIONS DISPLAYED ON THIS DRAWING ARE FOR REFERENCE ONLY		APVD L.F.	SCALE 1=1.0	IDENTIFICATION NO. A900153	
FINISH SEE SPECIFICATIONS		CONTACT TURCK FOR MORE INFORMATION		UNIT OF MEASUREMENT <b>MILLIMETER [ INCH ]</b>		REV A	
A DRAWING RELEASE		RDS	11/07/18	DO NOT SCALE THIS DRAWING		FILE: A900153	
REV	DESCRIPTION	BY	DATE	ECO NO.	SHEET 1 OF 1		