

Rotary Position Technology

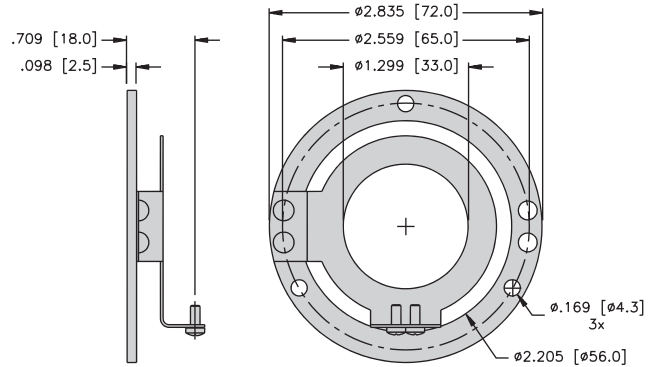
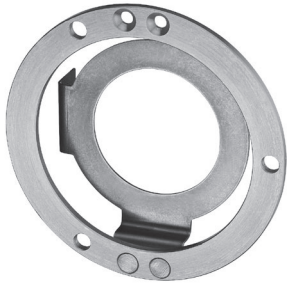
Encoder Accessories

Flex Brackets

Part Number:
RA-E1-SM

Description:
Flex mount for hollow shaft series,
RS-31, RS-33, RM-35, RM-36 (flange E1)

Kit includes: (2) M2.5x6 mm screws



Part Number:
RA-43-E2

Description:
4.5" C-face tether for RI-43

Kit includes: (3) M4x5 mm screws,
(1) 3/8-16 x 1/0" bolt, (1) 3/8-16 nut,
(1) Nylon step washer, (1) Nylon mating washer

