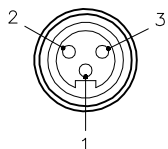
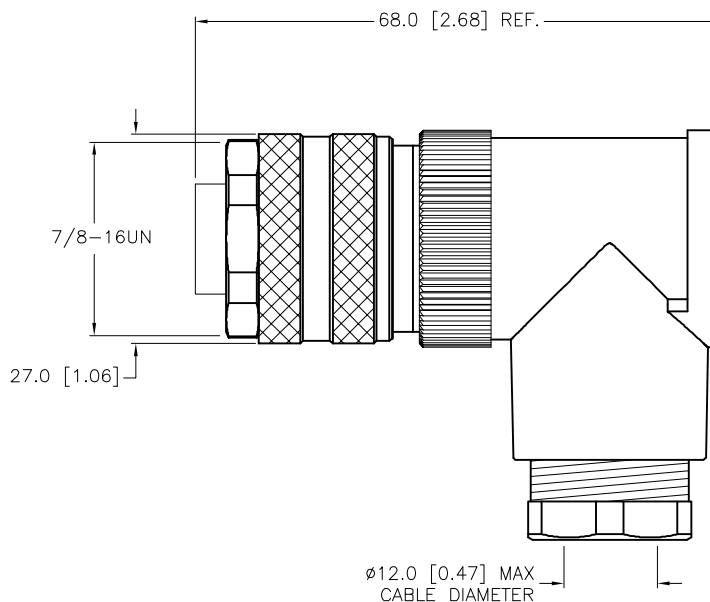
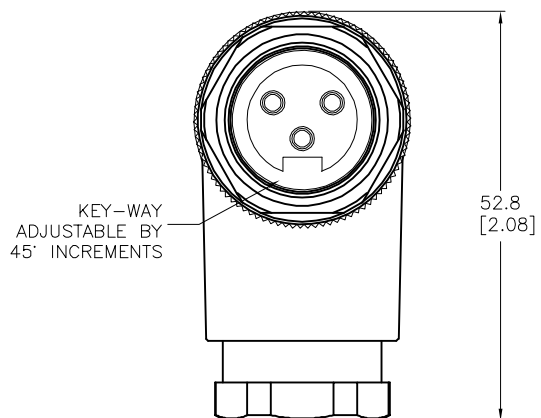


FEMALE END VIEW



SPECIFICATIONS

HOUSING MATERIAL/COLOR	NYLON or PBT/BLACK
CONTACT MATERIAL/PLATING	BRASS/GOLD
COUPLING NUT MATERIAL/PLATING	DIECAST ZINC/NICKEL
RATED CURRENT [A]	12.0 A (16 AWG), 15.0 A (14 AWG)
RATED VOLTAGE [V]	300 V
MAXIMUM WIRE SIZE	14 AWG
TERMINATION METHOD	SCREW TERMINAL
CABLE GRIP RANGE	10-12mm
TEMPERATURE RATING	-25°C to +85°C (-13°F to +185°F)
PROTECTION CLASS	IP67



SOURCE DRAWING - FOR REFERENCE ONLY

FIELD WIREABLE MINIFAST RIGHT-ANGLE CONNECTOR

RELATED DOCUMENTS		3RD ANGLE PROJECTION		THIS DRAWING IS CONFIDENTIAL AND THE PROPERTY OF TURCK INC. USE OF THIS DOCUMENT WITHOUT WRITTEN PERMISSION IS PROHIBITED.		3000 CAMPUS DRIVE MINNEAPOLIS, MN 55441 1-800-544-7769 (763) 553-7300 (763) 553-0708 fax www.turck.us	
1.			ALL DIMENSIONS DISPLAYED ON THIS DRAWING ARE FOR REFERENCE ONLY	DRFT	TV	DATE	06/02/17
2.				APVD	L.H.	SCALE	1=1.0
3.		MATERIAL		UNIT OF MEASUREMENT		IDENTIFICATION NO.	
4.		SEE SPECIFICATIONS		MILLIMETER [INCH]		REV	
FINISH		CONTACT TURCK FOR MORE INFORMATION		DO NOT SCALE THIS DRAWING		C	
SEE SPECIFICATIONS				FILE: U2-29171		SHEET 1 OF 1	

C	UPDATE SPECS	NF	05/05/22	77601
REV	DESCRIPTION	BY	DATE	ECO NO.