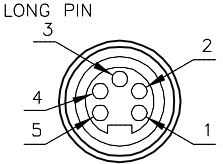
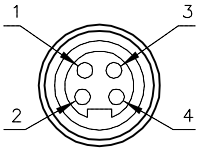
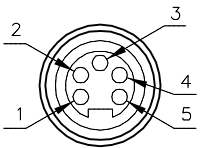
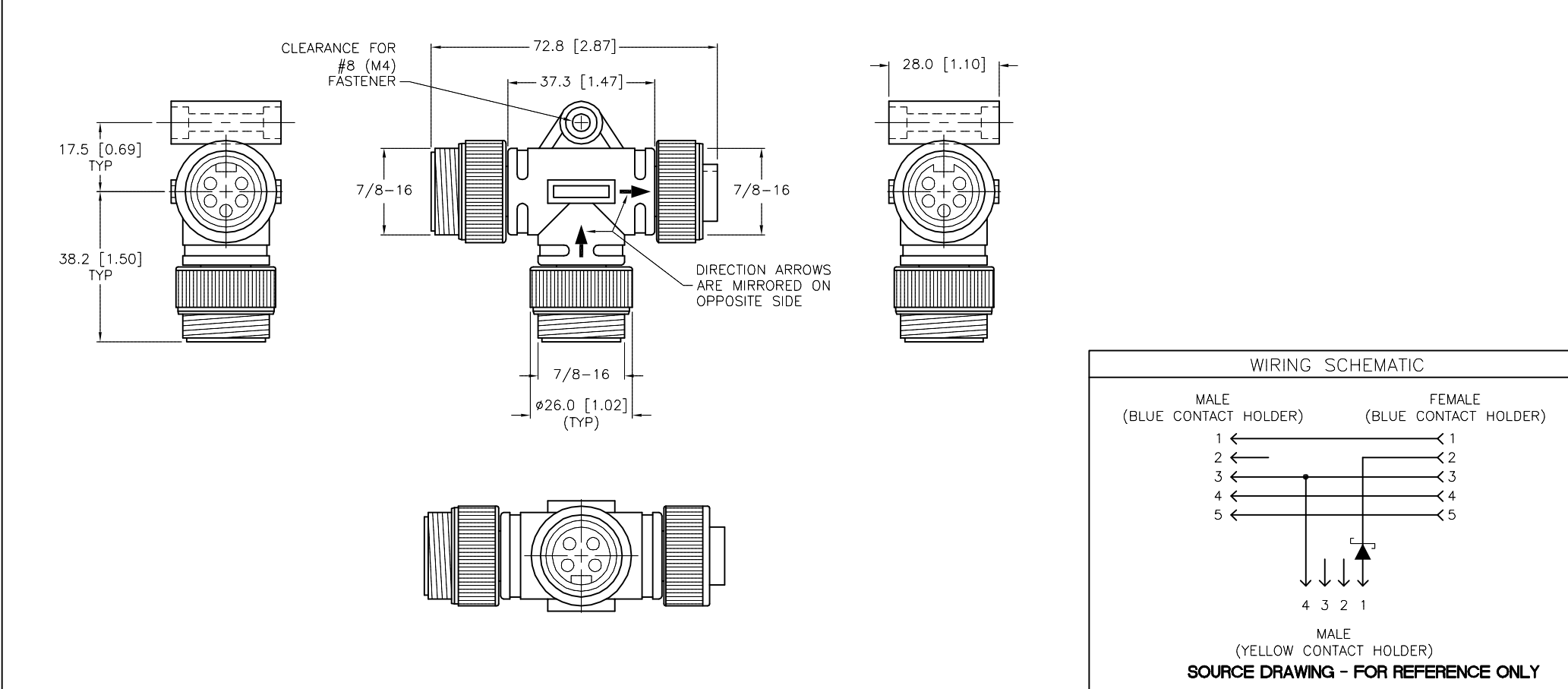
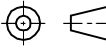


<p>MALE END VIEW (BLUE)</p> 	<p>MALE END VIEW (YELLOW)</p> 	<p>FEMALE END VIEW (BLUE)</p> 	<p>SPECIFICATIONS</p> <table border="1"> <tr> <td>CONTACT CARRIER MATERIAL</td> <td>TPU (SEE WIRING DIAGRAM)</td> </tr> <tr> <td>MOLDED HEAD MATERIAL/COLOR</td> <td>TPU/BLUE-GRAY</td> </tr> <tr> <td>CONTACT MATERIAL/PLATING</td> <td>BRASS/GOLD</td> </tr> <tr> <td>COUPLING NUT MATERIAL/PLATING</td> <td>BRASS/NICKEL</td> </tr> <tr> <td>RATED CURRENT [A]</td> <td>5.0 A</td> </tr> <tr> <td>RATED VOLTAGE [VDC]</td> <td>28 V</td> </tr> <tr> <td>TEMPERATURE RATING</td> <td>-40°C TO +55°C (-40°F TO 131°F)</td> </tr> <tr> <td>PROTECTION CLASS</td> <td>MEETS NEMA 1,3,4,6,13 AND IEC IP67</td> </tr> <tr> <td> </td> <td> </td> </tr> <tr> <td> </td> <td> </td> </tr> </table>		CONTACT CARRIER MATERIAL	TPU (SEE WIRING DIAGRAM)	MOLDED HEAD MATERIAL/COLOR	TPU/BLUE-GRAY	CONTACT MATERIAL/PLATING	BRASS/GOLD	COUPLING NUT MATERIAL/PLATING	BRASS/NICKEL	RATED CURRENT [A]	5.0 A	RATED VOLTAGE [VDC]	28 V	TEMPERATURE RATING	-40°C TO +55°C (-40°F TO 131°F)	PROTECTION CLASS	MEETS NEMA 1,3,4,6,13 AND IEC IP67				
CONTACT CARRIER MATERIAL	TPU (SEE WIRING DIAGRAM)																							
MOLDED HEAD MATERIAL/COLOR	TPU/BLUE-GRAY																							
CONTACT MATERIAL/PLATING	BRASS/GOLD																							
COUPLING NUT MATERIAL/PLATING	BRASS/NICKEL																							
RATED CURRENT [A]	5.0 A																							
RATED VOLTAGE [VDC]	28 V																							
TEMPERATURE RATING	-40°C TO +55°C (-40°F TO 131°F)																							
PROTECTION CLASS	MEETS NEMA 1,3,4,6,13 AND IEC IP67																							



NOTE:
1. "/KB" DESIGNATES DROP KEYWAY ROTATED 180 DEGREES FROM STANDARD.

<p>RELATED DOCUMENTS</p> <ol style="list-style-type: none"> 1. 2. 3. 4. 	<p>3RD ANGLE PROJECTION</p> 	<p>THIS DRAWING IS CONFIDENTIAL AND THE PROPERTY OF TURCK INC. USE OF THIS DOCUMENT WITHOUT WRITTEN PERMISSION IS PROHIBITED.</p> <p>TURCK IAC High Technology Sensors and Automation Controls</p> <p>3000 CAMPUS DRIVE MINNEAPOLIS, MN 55441 1-800-544-7769 (763) 553-7300 (763) 553-0708 fax turck.com</p>	
<p>MATERIAL</p>	<p>ALL DIMENSIONS DISPLAYED ON THIS DRAWING ARE FOR REFERENCE ONLY</p>	<p>DRFT RDS DATE 03/08/07</p> <p>APVD SCALE 1=1.5</p>	<p>DESCRIPTION RSM RKM 57 WSM 40 PST/KB</p>
<p>FINISH</p>	<p>CONTACT TURCK FOR MORE INFORMATION</p>	<p>UNIT OF MEASUREMENT MILLIMETER [INCH]</p> <p>DO NOT SCALE THIS DRAWING</p>	<p>IDENTIFICATION NO. U3-10488</p> <p>REV B</p> <p>FILE: U3-10488 SHEET 1 OF 1</p>

B	DRAWING PROCESSED AS PART OF ECO 33971	CBM	04/07/11	33971
REV	DESCRIPTION	BY	DATE	ECO NO.