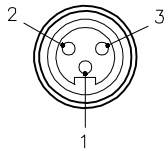
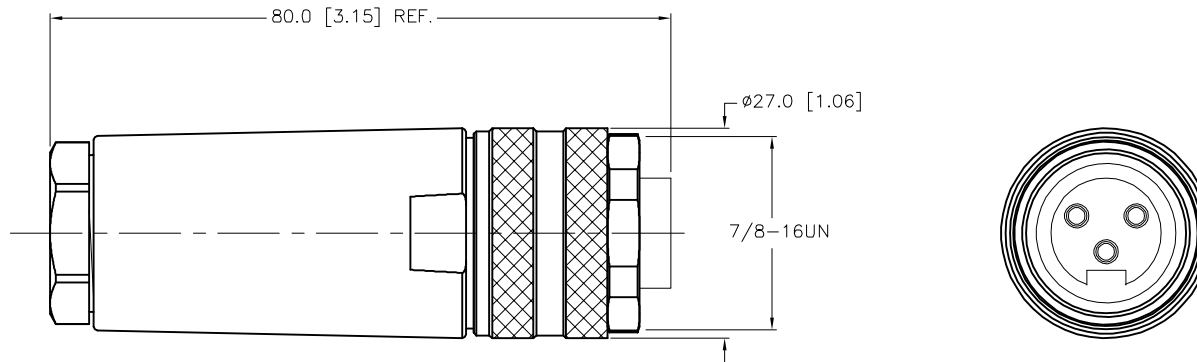


FEMALE END VIEW



SPECIFICATIONS

HOUSING MATERIAL/COLOR	PBT or NYLON/BLACK
CONTACT MATERIAL/PLATING	BRASS/GOLD
COUPLING NUT MATERIAL/PLATING	DIECAST ZINC/NICKEL
RATED CURRENT [A]	12.0 A (16 AWG), 15.0 A (14 AWG)
RATED VOLTAGE [V]	600 V
MAXIMUM WIRE SIZE	14 AWG
TERMINATION METHOD	SCREW TERMINAL
CABLE GRIP RANGE	10-12mm
TEMPERATURE RATING	-25°C to +85°C (-13°F to +185°F)
PROTECTION CLASS	IP67



SOURCE DRAWING - FOR REFERENCE ONLY

RELATED DOCUMENTS		3RD ANGLE PROJECTION		THIS DRAWING IS CONFIDENTIAL AND THE PROPERTY OF TURCK INC. USE OF THIS DOCUMENT WITHOUT WRITTEN PERMISSION IS PROHIBITED.		<p>3000 CAMPUS DRIVE MINNEAPOLIS, MN 55441 1-800-544-7769 (763) 553-7300 (763) 553-0708 fax www.turck.us</p>	
1.		ALL DIMENSIONS DISPLAYED ON THIS DRAWING ARE FOR REFERENCE ONLY		DRFT	RDS	DATE	12/16/10
2.				APVD		SCALE	1=1.0
3.		SEE SPECIFICATIONS		UNIT OF MEASUREMENT		DESCRIPTION	
4.				MILLIMETER [INCH]		B 4131-0/13.5	
MATERIAL		SEE SPECIFICATIONS		CONTACT TURCK FOR MORE INFORMATION		IDENTIFICATION NO.	
FINISH				DO NOT SCALE THIS DRAWING		U6310-1	
REV		ECO NO.		FILE: U6310-1		REV	
D		77601		SHEET 1 OF 1		D	
UPDATE SPECS		77601		SHEET 1 OF 1		D	
DESCRIPTION		ECO NO.		SHEET 1 OF 1		D	
BY		ECO NO.		SHEET 1 OF 1		D	
DATE		ECO NO.		SHEET 1 OF 1		D	

D	UPDATE SPECS	NF	05/05/22	77601
REV	DESCRIPTION	BY	DATE	ECO NO.