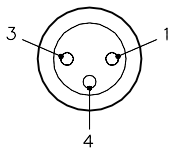
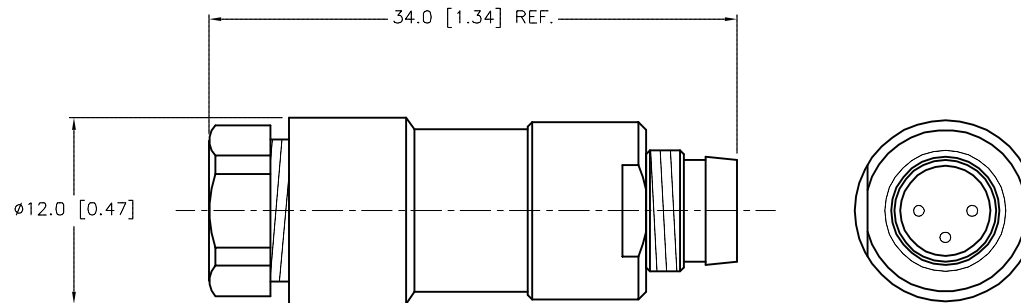


MALE END VIEW



SPECIFICATIONS

HOUSING MATERIAL/PLATING	PBT/BLACK
CONTACT MATERIAL/PLATING	BRASS/GOLD
RATED CURRENT [A]	4.0 A
RATED VOLTAGE [V]	60 VAC/75 VDC
MAXIMUM WIRE SIZE	26 AWG
CABLE GRIP RANGE	3-5 mm
TEMPERATURE RATING	-40°C to +85°C (-40°F to +185°F)
PROTECTION CLASS	MEETS NEMA 1,3,4,6P AND IEC IP67



SOURCE DRAWING - FOR REFERENCE ONLY

RELATED DOCUMENTS		3RD ANGLE PROJECTION	THIS DRAWING IS CONFIDENTIAL AND THE PROPERTY OF TURCK INC. USE OF THIS DOCUMENT WITHOUT WRITTEN PERMISSION IS PROHIBITED.		3000 CAMPUS DRIVE MINNEAPOLIS, MN 55441 1-800-544-7769 (763) 553-7300 (763) 553-0708 fax www.turck.us	
1.			DRFT	CBM	DATE	04/26/99
2.			DSGN		SCALE	1 = .5
3.		ALL DIMENSIONS DISPLAYED ON THIS DRAWING ARE FOR REFERENCE ONLY	UNIT OF MEASUREMENT		DESCRIPTION	
4.			MILLIMETER [INCH]		BS 5132-0	
MATERIAL		CONTACT TURCK FOR MORE INFORMATION	IDENTIFICATION NO.		REV	
FINISH			U6511		A	
A	UPDATE GEOMETRY, PINOUT	CBM	04/26/99	T2813		
REV	DESCRIPTION	BY	DATE	ECO NO.	FILE: U6511	SHEET 1 OF 1

