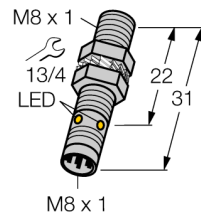
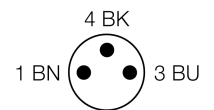
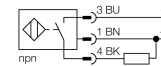


Inductive sensor with extended switching distance BI2-EG08K-AN6X-V1131



- Threaded barrel, M8 x 1
- Stainless steel, 1.4427 SO
- Large detection range
- 3-wire DC, 10...30 VDC
- NO contact, NPN output
- Male M8 x 1

Wiring diagram



Functional principle

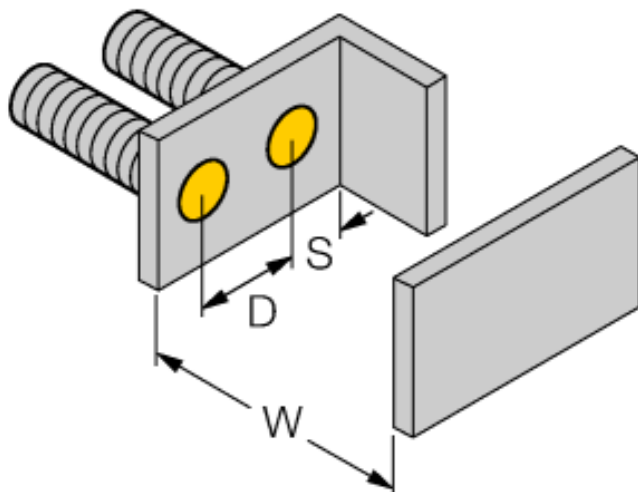
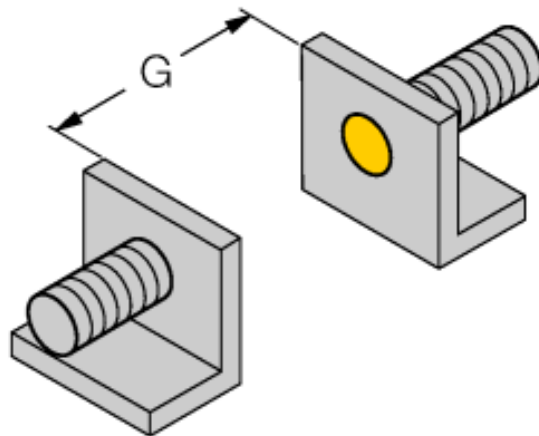
Inductive sensors detect metal objects contactless and wear-free. For this, they use a high-frequency electromagnetic AC field that interacts with the target. Inductive sensors generate this field via an RLC circuit with a ferrite coil.

Type code	BI2-EG08K-AN6X-V1131
Ident-No.	4669550
Ident-No (TUSA)	S4669550
Rated operating distance Sn	2 mm
Mounting condition	flush
Assured switching distance	$\leq (0,81 \times S_n) \text{ mm}$
Correction factors	St37 = 1; Al = 0.3; stainless steel = 0.7; Ms = 0.4
Repeatability	$\leq 2\%$ of full scale
Temperature drift	10 %
Hysteresis	3...15 %
Ambient temperature	-25...+70 °C
Operating voltage	10...30VDC
Residual ripple	$\leq 10\% U_{in}$
DC rated operational current	$\leq 150 \text{ mA}$
No-load current I_0	$\leq 15 \text{ mA}$
Residual current	$\leq 0.1 \text{ mA}$
Rated insulation voltage	$\leq 0.5 \text{ kV}$
Short-circuit protection	yes/ cyclic
Voltage drop at I_0	$\leq 1.8 \text{ V}$
Wire breakage / Reverse polarity protection	yes/ complete
Output function	3-wire, NO contact, NPN
Switching frequency	3 kHz
Design	threaded barrel, M8 x 1
Dimensions	31 mm
Housing material	stainless steel, 1.4427 SO
Material active area	Plastic, PA
Max. tightening torque housing nut	5 Nm
Connection	male, M8 x 1
Vibration resistance	55 Hz (1 mm)
Shock resistance	30 g (11 ms)
Protection class	IP67
MTTF	2283 years acc. to SN 29500 (Ed.99) 40 °C
Switching state	LED yellow

**Inductive sensor
with extended switching distance
BI2-EG08K-AN6X-V1131**

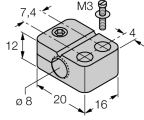
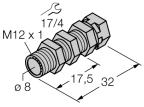
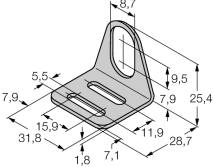
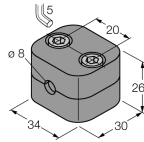
Distance D	2 x B
Distance W	3 x Sn
Distance T	3 x B
Distance S	1.5 x B
Distance G	6 x Sn

Diameter of the active area B \varnothing 8 mm



**Inductive sensor
with extended switching distance
BI2-EG08K-AN6X-V1131**

Accessories

Type code	Ident-No.	Description	Dimension drawing
BST-08B	6947210	Fixing clamp for threaded barrel devices, with dead-stop; material: PA6	
QM-08	6945100	Quick-mount bracket with dead-stop, chrome-plated brass, male thread M12 x 1. Note: The switching distance of proximity switches may be reduced through the use of quick-mount brackets.	
MW-08	6945008	Mounting bracket for threaded barrel devices; material: Stainless steel A2 1.4301 (AISI 304)	
BSS-08	6901322	Mounting bracket for smooth and threaded barrel devices; material: Polypropylene	

Wiring accessories

Type code	Ident-No.	Description	Dimension drawing
PKG3M-2/TEL	6625385	Connection cable, female M8, straight, 3-pin, stainless steel coupling nut, cable length: 2 m, sheath material: PVC, black; cULus approval; other cable lengths and qualities available, see www.turck.com	