

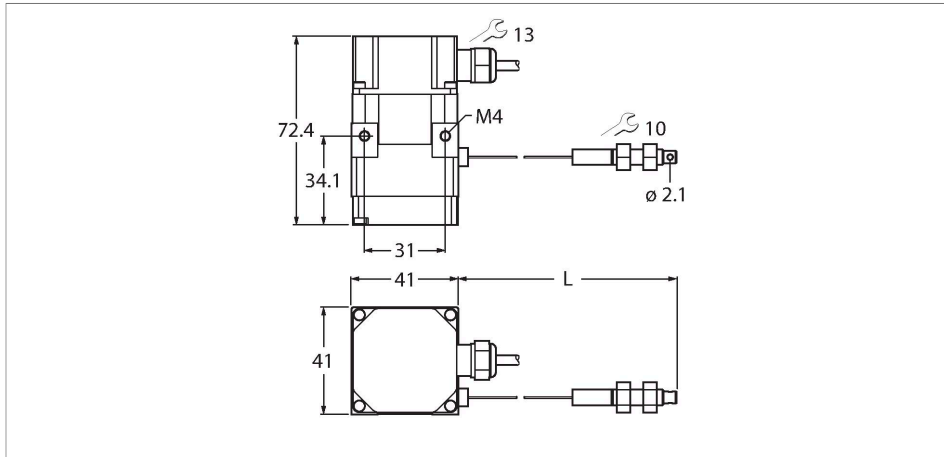
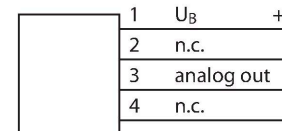
DW2000-55-7F-H1141

Draw-Wire

Features

- Measuring range up to 2000 mm
- M12
- Protection class: IP64
- Analog output, 4...20 mA
- Supply voltage 12...30 VDC

Wiring diagram



Technical data

Type	DW2000-55-7F-H1141
ID	100000991
General data	
Measuring range	2000 mm
Electrical data	
Operating voltage	12...30 VDC
Short-circuit protection	yes
Wire breakage/Reverse polarity protection	yes
Output function	4-pin, Analog output
Current output	4...20 mA
Mechanical data	
Design	Draw Wire
Housing material	Plastic
wire material	Stainless steel
Electrical connection	Connector, M12 × 1
Environmental conditions	
Ambient temperature	-20...+60 °C
Protection class	IP64

Signal	+U _B	-	Analog out	-	-	-	-	-	-
Pin configuration	1	2	3	4	-	-	-	-	-

Accessories

RDR-1

1544753

Deflection roller for aluminium draw-wire sensors

