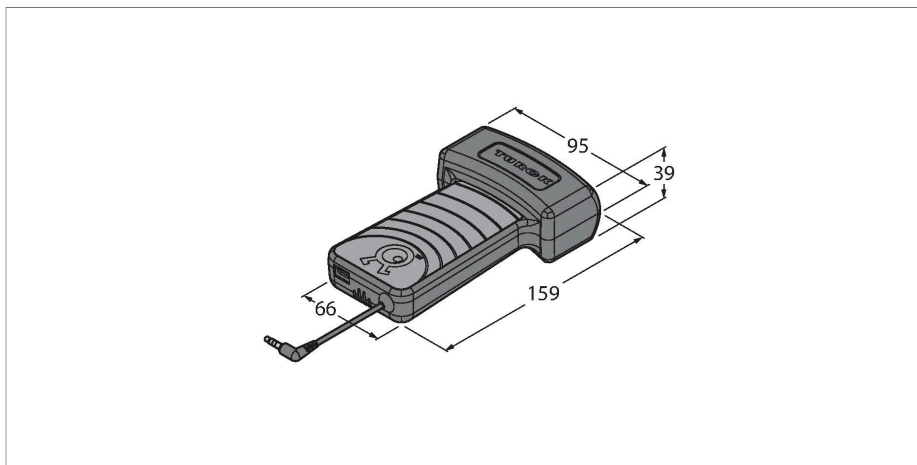


# PD20-UHF-NA-R

## Handheld with Lithium-Ion Battery



### Features

- Mobile reading and writing of RFID data carriers
- Approved for use in the USA, Canada and Mexico
- Handheld with UHF antenna
- Connection to the host device via 3.5 mm jack plug
- Incl. TURCK RFID app (iOS, Android) for reading and writing of data carriers
- Custom app on request
- WLAN and mobile interface via connected host device
- Permanent lithium-ion 1800 mAh battery, approx. 2 hours' active scanning
- Incl. Micro-B USB cable and power supply
- Protection class IP20
- Withstands multiple drops on smooth concrete from 1.5 m height

### Technical data

Type	PD20-UHF-NA-R
ID	100000996
Ambient temperature	-10...+55 °C
Storage temperature	-20...+60 °C
<b>Electrical data</b>	
Technology	UHF RFID
Region (UHF)	USA, Canada, Mexico (902...928 MHz)
Radio communication and protocol standards	ISO 18000-63
Output power	5...30 dBm, adjustable
Antenna polarization	Simulated circular
Memory	via the connected host device
Display	via the connected host device
Battery capacity	1800 mAh
Communication via	3.5 mm jack plug
Included software	Turck RFID app, available free of charge
Operating system	iOS, Android
<b>Mechanical data</b>	
Dimensions	159 x 95 x 39 mm
Weight	170 g
Housing material	Plastic, Polycarbonate/ABS, Black
Protection class	IP20