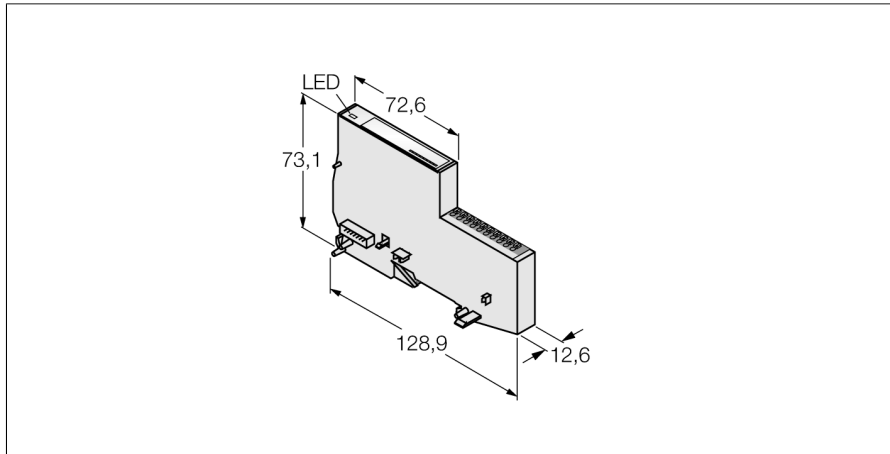


BL20 Economy Module

Potential Distribution Module, 10x 24 VDC

BL20-E-10UL



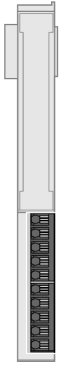
- Fieldbus-independent
- Electronics and connection technology in one housing
- Connectivity: Push-in terminals
- Protection class IP20
- 10 connection terminals for wiring the 24 VDC potential from the U_i field supply

Functional principle

Electronics and connection technology are integrated in the housing. A base module is not needed. Economy modules and modules with separate electronics and connection technology can be fitted into a station, provided the base modules feature tension spring connections.

The use of gateways makes economy modules completely independent from the higher level fieldbus.

| | |
|--|--|
| Type | BL20-E-10UL |
| ID | 100001335 |
| Number of channels | 10 |
| Rated voltage from the supply terminal | 24 VDC |
| Admissible range | 18...30 VDC |
| Output connectivity | Push-in |
| Dimensions (W x L x H) | 12.6 x 128.6 x 74.6 mm |
| Ambient temperature | 0...+55 °C |
| Storage temperature | -25...+85 °C |
| Relative humidity | 15...95 %, no condensation allowed |
| Vibration test | Acc. to EN 61131 |
| Shock test | Acc. to IEC 60068-2-27 |
| Drop and topple | acc. to IEC 68-2-31 and free fall to IEC 68-2-32 |
| Electromagnetic compatibility | Acc. to EN 50082-2 |
| Protection class | IP20 |
| MTTF | 15435 years acc. to SN 29500 (Ed. 99) 20 °C |

Connection Overview**Accessories**

The module supplies the 24 VDC potential from the U_f field supply of the gateway or a power feeding module on 10 channels.

Pin Assignment