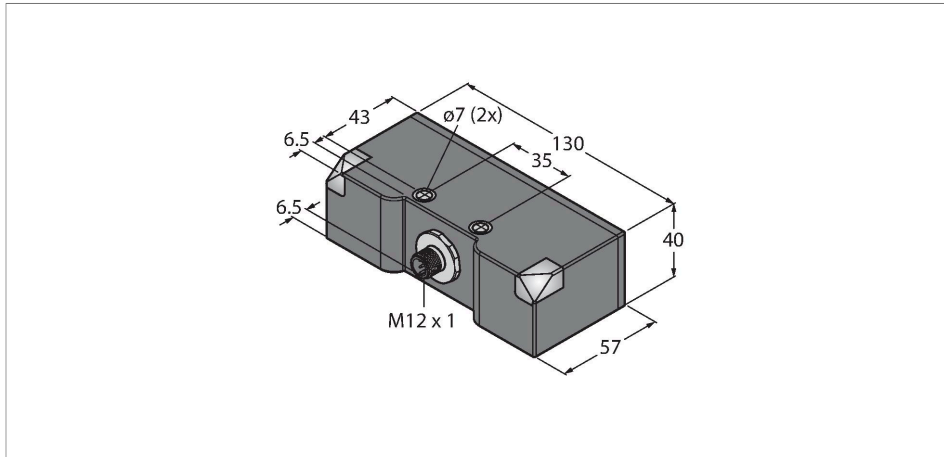


# NI30U-Q130WD-VP6X2-H1141

## Inductive Sensor – For Harsh Environments

### Features

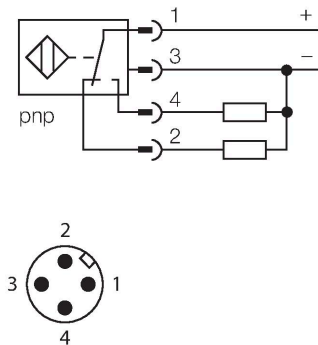
- Rectangular, height 40 mm
- Active surface over the entire front
- Plastic, PPS-GF30
- Factor 1 for all metals
- Resistant to magnetic fields
- High protection class IP69K for harsh environments
- Protection against all common acidic and alkaline cleaning agents
- Laser engraved label, permanently legible
- DC 4-wire, 10...30 VDC
- Changeover contact, PNP output
- M12 x 1 male connector



### Technical data

Type	NI30U-Q130WD-VP6X2-H1141
ID	100001786
<b>General data</b>	
Rated switching distance	30 mm
Mounting conditions	Non-flush, partially embeddable
Secured operating distance	$\leq (0.81 \times S_n)$ mm
Repeat accuracy	$\leq 2\%$ of full scale
Temperature drift	$\leq \pm 10\%$
	$\leq \pm 40\%$ , $\leq -25\text{ °C}$ v $\leq \pm 20\%$ , $\geq +70\text{ °C}$
Hysteresis	3...15 %
<b>Electrical data</b>	
Operating voltage	10...30 VDC
Residual ripple	$\leq 10\% U_{ss}$
DC rated operational current	$\leq 200$ mA
No-load current	25 mA
Residual current	$\leq 0.1$ mA
Isolation test voltage	$\leq 0.5$ kV
Short-circuit protection	yes / Cyclic
Voltage drop at $I_o$	$\leq 1.8$ V
Wire breakage/Reverse polarity protection	yes / Complete
Output function	4-wire, Complementary contact, PNP
DC field stability	300 mT
AC field stability	300 mT <sub>ss</sub>
Switching frequency	0.25 kHz

### Wiring diagram



### Functional principle

Inductive sensors are designed for wear-free and contactless detection of metal objects. uprox+ sensors have significant advantages due to their patented multi-coil system. They excel thanks to their optimum switching distances, maximum flexibility and operational reliability as well as efficient standardization.

## Technical data

Mechanical data	
Design	Rectangular, Q130
Dimensions	130 x 57 x 40 mm
Housing material	Plastic, PPS-GF30, Black
Active area material	Plastic, PPS-GF30, black
Plug adapter	metal, 1.4404 (AISI 316L)
Tightening torque fixing screw	4 Nm
Electrical connection	Connector, M12 × 1
Environmental conditions	
Ambient temperature	-30...+85 °C
Vibration resistance	55 Hz (1 mm)
Shock resistance	30 g (11 ms)
Protection class	IP68 IP69K
MTTF	874 years acc. to SN 29500 (Ed. 99) 40 °C
Power-on indication	LED, Green
Switching state	LED, Yellow

## Mounting instructions

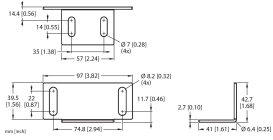
Mounting instructions/Description		
	Distance D	180 mm
	Distance W	3 x Sn
	Distance S	1.5 x B
	Distance G	6 x Sn
	Width active area B	130 mm
<p>Flush mounting of the sensor in metal along both long sides.</p>		

NI30U-Q130WD-VP6X2-H1141 | 11/29/2022 08-40 | technical changes reserved

## Accessories

MB-Q130WD

A900166



## Wiring accessories

Dimension drawing	Type	ID	
	RKH4.4-2/TFE	6934473	Connection cable, M12 female, straight, 4-pin, stainless steel coupling nut, cable length: 2 m, jacket material: PVC, gray, temperature range -25...+80 °C; other cable lengths and designs available, see <a href="http://www.turck.com">www.turck.com</a>
	RKH4.4-2-RSH4.4/TFG	6933472	Food and Beverage extension cable, M12 female, straight, 4-pin to M12 male, straight, 4-pin; cable length: 2 m, jacket material: TPE, gray; approval: Ecolab, FDA; other cable lengths and qualities available, see <a href="http://www.turck.com">www.turck.com</a>