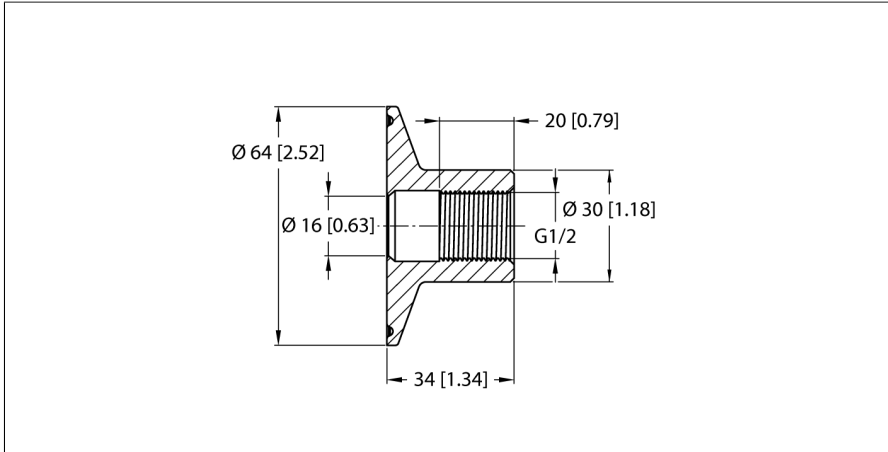


Accessories

Tri-Clamp Process Adapters

For NCLS Capacitive Limit Level Sensors

NCLS-TC50



| | |
|--------------------|-------------|
| Type | NCLS-TC50 |
| ID | 100004436 |
| Mounting location | any |
| Process Pressure | 10 bar |
| Medium temperature | 0...+140 °C |
| CIP/SIP-capable | yes |

| | |
|-----------------|-----------------------------------|
| Tests/approvals | |
| Warning | Protect against mechanical damage |

| | |
|---------------------------------------|-------------------------------------|
| Mechanical data | |
| Design | Accessories for threaded barrels |
| Dimensions | 34 x 50.5 x 50.5 mm |
| Housing material | Stainless steel, 1.4404 (AISI 316L) |
| Materials (contact with media) | Stainless steel 1.4404 (AISI 316L) |
| Max. tightening torque of housing nut | 10 Nm |
| Process connection | Tri-Clamp 3" |
| Protection class | IP67 |
| | When installed |

- Terminal adapter for pipes
- Triclamp G1/2", DN50 in accordance with DIN 32676
- Suitable for NCLS limit level sensors
- The Triclamp process adapters are particularly suitable for use in aseptic environments such as the pharmaceutical or biotechnology industries.

Functional principle

The terminal concept for limit level sensors from the NCLS series enables standardized positioning of the sensor at defined points in a system, such as a flow channel or tank.

The Triclamp adapter fastens to the corresponding counterpart on the tank or pipe. The sensor is then screwed directly into the adapter. The sealing is provided without the use of any O-rings on the sensor head, but by direct pressing of metal onto PEEK.

The terminal adapters are available in all standard industrial shapes and sizes. The system consisting of the sensor and process adapter can therefore be adjusted easily to the different application requirements.