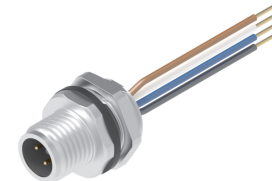
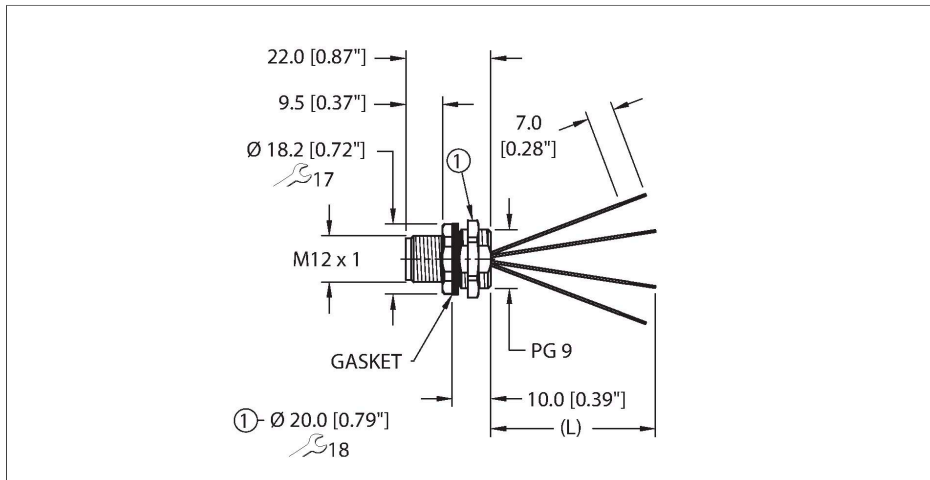


# EFSVG-A4.400.2-0.5

## Actuator and Sensor Receptacle – Front Mount



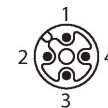
### Features



- M12, Male, Receptacle, Front mount, 4-pin
- Mounting thread: PG9

### Contact assignment

Connector A



### Circuit Diagram



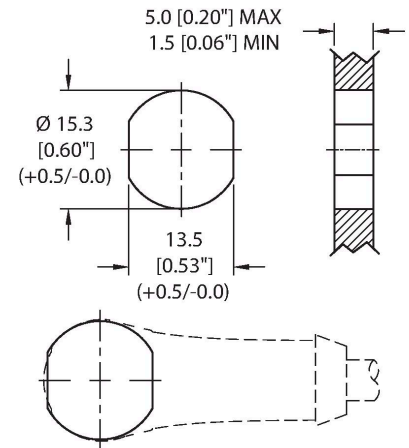
### Technical data

|                                 |   |
|---------------------------------|---|
| Type                            | EFSVG-A4.400.2-0.5  |
| ID                              | 100007815   |
| Replaces                        | FSV 4.4-x   |
| Connector A                     | Male, M12 × 1, A-code                                     |
| Design specification            | Acc. to IEC 61076-2-101                                   |
| Number of contacts              | 4   |
| Contacts                        | Bronze, CuSn, Gold-plated                                 |
| Contact carriers                | Plastic, TPU, Black                                       |
| Housing material/finish         | Stainless Steel, Passivated                               |
| Tightening torque (range)       | 0.4 ... 1.8 Nm<br>(note max. torque of mating connector!) |
| Mounting orientation            | Front mount   |
| Panel seal                      | Gasket, NBR   |
| Mounting thread                 | PG9   |
| Locknut                         | Stainless Steel, Passivated                               |
| Receptacle mounting torque      | 2.5...6.8 Nm  |
| Mechanical life                 | > 100 Mating cycles                                       |
| Pollution degree                | 3   |
| Protection class (When coupled) | IP67, IP68, IP69, IP69K<br>NEMA: 1, 3, 4, 4X, 6P, 12      |
| <b>Conductor data</b>           |   |
| Total number of conductors      | 4   |
| Length (L)                      | 0.5 m, (+50mm or 4% of length/-0.0, Whichever is greater) |

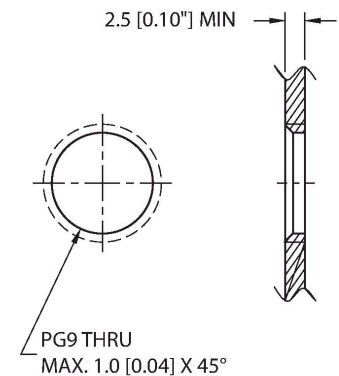
## Technical data

|  |  |
|--|--|
| Conductor material   | TC (tinned copper)                                   |
| Conductor insulation material  | PVC  |
| Conductor size   | 22 AWG [Similar to 0.34 mm <sup>2</sup> ]            |
| Conductor colors   | BN, WH, BU, BK                                       |
| <b>Electrical properties at +20 °C</b>                                     |  |
| Rated voltage  | 250 V <sub>AC</sub> /300 V <sub>DC</sub>             |
| Current  | 4 A  |
| <b>Mechanical and chemical properties</b>                                  |  |
| Ambient temperature range (static)   | -40 °C...+105 °C                                     |
| Approvals  | UL 2238<br>CSA C22.2 No. 182.3<br>CE<br>UKCA<br>RoHS |
| <b>Note</b>  |  |
| - We reserve the right to make technical alterations without prior notice. |  |

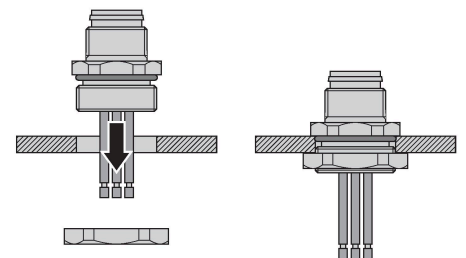
### Mounting hole - Through



### Mounting hole - Threaded



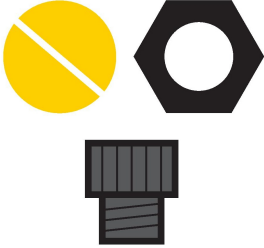
### Front panel mounting



Accessories

**FK(S)FD-TOOL**

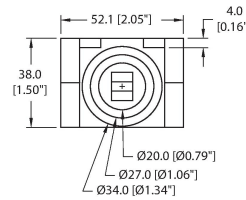
**A2550**



Tool, knockout hole punch, receptacle-mounting hole. Accommodates PG9 threads.

**DECAL,9-CLRS,RECEPT+BOXES,EURO(QTY1)**

**100008955**

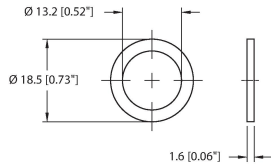


1 decal sticker containing 9 different color sets of 11 decals to color code a sensor, junction block port, cable end, or receptacle. 5ct 4x9mm rectangles, 4ct 8x19mm rectangles, 1ct 27mm ID ring, 1ct 20mm ID ring.

Accessories

**M12-GASKET-PG9,M16,1/4NPT-(10/BAG)**

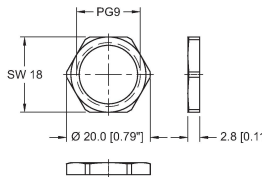
**100015009**



Gasket, Black NBR, Fits PG9, M16 and 1/4NPT mounting threads, 10 per bag

**LOCKNUT-PG9-316SS-(10/BAG)**

**A9583**



Locknut, PG9, 316 Stainless Steel, 10 per bag