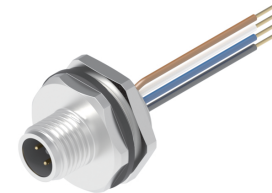
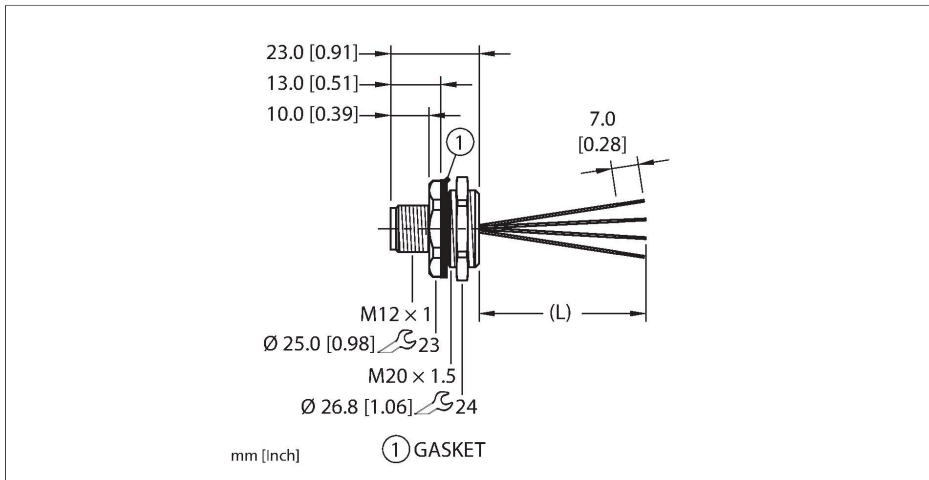


# EFSBT-A4.400.2-1

## Actuator and Sensor Receptacle – Front Mount



### Technical data

|                                 |   |
|---------------------------------|---|
| Type                            | EFSBT-A4.400.2-1  |
| ID                              | 100009897   |
| Replaces                        | FS 4.4-x/M20  |
| Connector A                     | Male, M12 x 1, A-code                                     |
| Design specification            | Acc. to IEC 61076-2-101                                   |
| Number of contacts              | 4   |
| Contacts                        | Bronze, CuSn, Gold-plated                                 |
| Contact carriers                | Plastic, TPU, Black                                       |
| Housing material/finish         | Brass, CuZn, Nickel-plated                                |
| Tightening torque (range)       | 0.4 ... 1.8 Nm<br>(note max. torque of mating connector!) |
| Mounting orientation            | Front mount   |
| Panel seal                      | Gasket, NBR   |
| Mounting thread                 | M20 x 1.5   |
| Locknut                         | Brass, CuZn, Nickel-plated                                |
| Receptacle mounting torque      | 3.5...9.6 Nm  |
| Mechanical life                 | > 100 Mating cycles                                       |
| Pollution degree                | 3   |
| Protection class (When coupled) | IP67, IP68, IP69, IP69K<br>NEMA: 1, 3, 4, 6P, 12          |
| <b>Conductor data</b>           |   |
| Total number of conductors      | 4   |
| Length (L)                      | 1 m, (+50mm or 4% of length/-0.0, Whichever is greater)   |

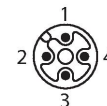
### Features



- M12, Male, Receptacle, Front mount, 4-pin
- Mounting thread: M20 x 1.5

### Contact assignment

Connector A



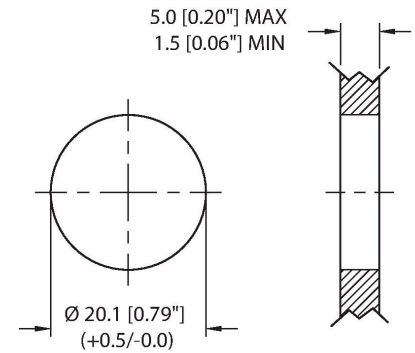
### Circuit Diagram



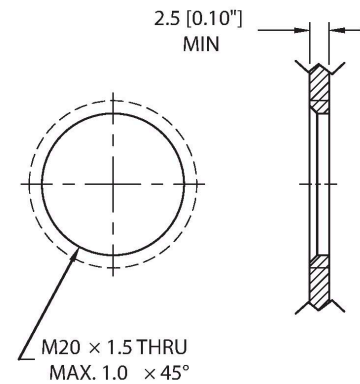
## Technical data

|  |  |
|--|--|
| Conductor material   | TC (tinned copper)                                   |
| Conductor insulation material  | PVC  |
| Conductor size   | 22 AWG [Similar to 0.34 mm <sup>2</sup> ]            |
| Conductor colors   | BN, WH, BU, BK                                       |
| <b>Electrical properties at +20 °C</b>                                     |  |
| Rated voltage  | 250 V <sub>AC</sub> /300 V <sub>DC</sub>             |
| Current  | 4 A  |
| <b>Mechanical and chemical properties</b>                                  |  |
| Ambient temperature range (static)   | -40...+105 °C  |
| Approvals  | UL 2238<br>CSA C22.2 No. 182.3<br>CE<br>UKCA<br>RoHS |
| <b>Note</b>  |  |
| - We reserve the right to make technical alterations without prior notice. |  |

## Mounting hole - Through



## Mounting hole - Threaded



## Front panel mounting

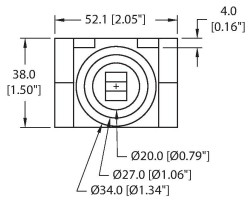


Accessories

**DECAL,9-CLRS,RECEPT+BOXES,EURO(QTY1) 100008955**

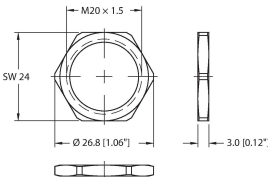


1 decal sticker containing 9 different color sets of 11 decals to color code a sensor, junction block port, cable end, or receptacle. 5ct 4x9mm rectangles, 4ct 8x19mm rectangles, 1ct 27mm ID ring, 1ct 20mm ID ring.



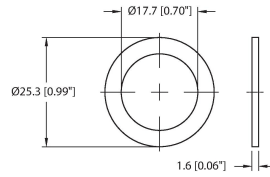
Accessories

**LOCKNUT-M20-BRASS-(10/BAG) A3118**



Locknut, M20, Brass, Nickel-plated, 10 per bag

**M12-GASKET-M20,1/2NPT-(10/BAG) 100024930**



Gasket, Black NBR, Fits M20 and 1/2NPT mounting threads, 10 per bag