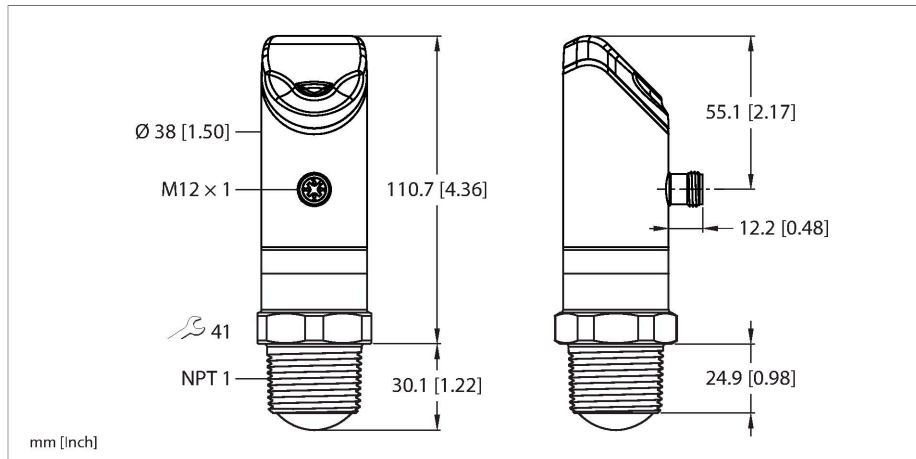


LRS510-10-57-2UPN8-H1141

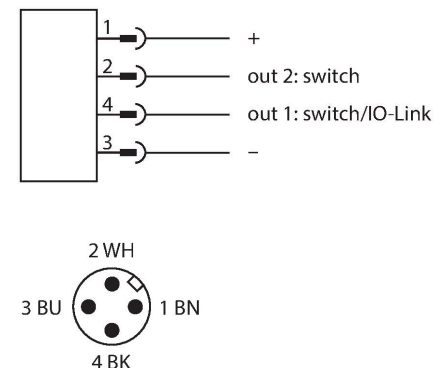
Radar Sensor – Level Control



Features

- Range: 10 m
- Blind zone: 35 cm
- Resolution: 1 mm
- Cone angle of the radar beam: $\pm 3^\circ$
- Distance, level, volume or % output
- Approved according to ETSI 305550-2
- Approved according to FCC/CFR. 47 Part 15.
- Male connector, M12 × 1, 4-pin
- Operating voltage 18...33 VDC
- Switching output switchable between PNP/ NPN
- IO-Link
- 4-digit, 2-colored, 14-segment display
- Housing is rotatable by 180° after mounting the process connection
- Process connection NPT 1"
- Pressure resistance -1...16 bar rel.

Wiring diagram



Technical data

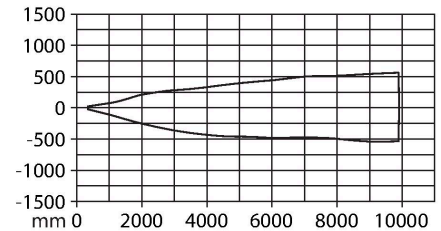
Type	LRS510-10-57-2UPN8-H1141
ID	100012726
Radar data	
Function	Radar scanner
Frequency range	122 - 123 GHz
Range	350...10000 mm
Resolution	1 mm
Minimum measuring range	500 mm
Minimum switching range	50 mm
Linearity error	$\leq \pm 0.1 \%$
Edge lengths of the nominal actuator	100 mm
Output power EIRP	10 dBm
Cone angle	6°
Repeatability	2 mm
Hysteresis	≤ 50 mm
Electrical data	
Operating voltage U_B	17...33 VDC
Residual ripple	$< 10 \%$ U_{ss}
DC rated operating current I_o	≤ 250 mA
No-load current	≤ 100 mA
Residual current	≤ 0.1 mA
Short-circuit protection	yes/Cyclic
Reverse polarity protection	yes

Technical data

Communication protocol	IO-Link
Output function	NO/NC programmable, PNP/NPN
Output 2	Switching output
Voltage drop at I _o	≤ 2 V
Switching frequency	≤ 10 Hz
Response time typical	< 10 ms
IO-Link	
IO-Link specification	V 1.1
IO-Link port type	Class A
Communication mode	COM 3 (230.4 kBaud)
Process data width	80 bit
Measured value information	64 bit
Switchpoint information	2 bit
Frame type	2.2
Minimum cycle time	5 ms
Function pin 4	IO-Link
Function Pin 2	DI
Maximum cable length	20 m
Profile support	Smart Sensor Profile
Mechanical data	
Design	With display (integrated probe), LRS
Dimensions	Ø 38 x 140.8 x 38 x 50.2 mm
Housing material	Stainless-steel/Plastic, 1.4404 (AISI 316L)/polyarylamide 50 % GF UL 94 V-0 PEEK
Lens	plastic, PEEK
Max. tightening torque of housing nut	45 Nm
Electrical connection	Connector, M12 × 1
Process connection	1" NPT
Ambient temperature	-25...+65 °C
Storage temperature	-40...+85 °C
Process Pressure	16 bar
Protection class	IP67 IP69K
	Not assessed by UL
Switching state	2 × LEDs, Yellow
Vibration resistance	20 g (10...2000 Hz), EN 600068-2-6
Shock test	EN 60068-2-27
Shock resistance	50 g (11 ms)

Functional principle



FMCW radar stands for frequency modulated continuous wave radar. FMCW is the English abbreviation for Frequency Modulated Continuous Wave. Non-modulated continuous wave radars have the disadvantage that they cannot measure distances due to lack of time reference. Such a time reference for distance measurement of stationary objects can be generated by means of frequency modulation. Using this method, a signal is emitted which continually changes the frequency. A periodic, linear frequency which varies upwards and downwards is used to limit the frequency range and to simplify the signal evaluation. The factor for the rate of change df/dt remains constant. If an echo signal is received, then this has a runtime delay as with the pulse radar, and thus a different frequency that is proportional to the distance.



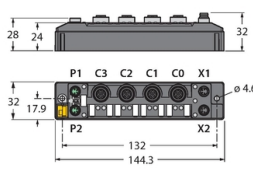
Technical data

EMV	EN 61000-6-2:2019 ETSI EN 301489-3 v.1.6.1
Approvals	CE, ETSI, FCC, UL

Wiring accessories

Dimension drawing	Type	ID	
	RK 4.4T-2/S760/S771	U-29271	Connection cable, M12 female connector, straight, 4-pin, cable length: 2 m, jacket material: PVC, black; cULus approval
	RK 4.4T-2-RS 4.4TS760/S771	U2-09882	Extension cable, M12 female connector, straight, 4-pin to M12 male connector, straight, 4-pin, cable length: 2 m, jacket material: PVC, black; cULus approval

Accessories

Dimension drawing	Type	ID	
	TBEN-S2-4IOL	6814024	Compact multiprotocol I/O module, 4 IO-Link Master 1.1 Class A, 4 universal PNP digital channels 0.5 A

LRS510-10-57-2UPN8-H1141 | 05/14/2025 23-06 | technical changes reserved