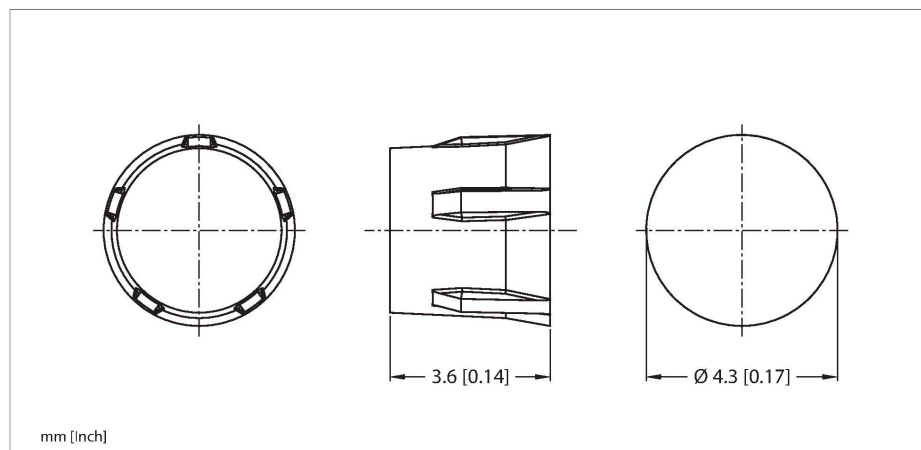


# TW-R4-3-M-B320-10PCS

## HF Tag – In Metal



### Technical data

Type	TW-R4-3-M-B320-10PCS
ID	100013771
Remark to product	For direct mounting on and in metal
Data transfer	Inductive coupling
Technology	HF RFID
Operating frequency	13.56 MHz
Memory type	EEPROM
Chip	NXP I-Code SLIX2
Memory	320 Byte
Memory	Read/Write
Freely usable memory	316 Byte
	Password-protected access to the data in the tag possible (requires firmware Xv98 or higher in the read/write device)
Number of read operations	unlimited
Number of write operations	10 <sup>5</sup>
Typical read time	2 ms/Byte
Typical write time	3 ms/Byte
Radio communication and protocol standards	ISO 15693 NFC Typ 5
Minimum distance to metal	0 mm
Temperature during read/write access	-40...+85 °C
Temperature outside detection range	-45...+85 °C
Design	Hard tag, R4
Diameter	4.3 mm
Housing height	3.6 mm

### Features

- Tag for mounting in metal
- EEPROM, memory 320 byte
- For direct mounting on and in metal

### Functional principle

The HF read/write devices operating at a frequency of 13.56 MHz form a transmission zone the size of which (0...500 mm) varies, depending on the combination of read/write head and tag used.

The read/write distances mentioned here only represent standard values measured under laboratory conditions, free from any influences caused by surrounding materials.

The read/write distances of tags suitable for mounting in/on metal were determined in/on metal.

Attainable distances may vary by up to 30 % due to component tolerances, mounting conditions, ambient conditions and material qualities (especially when mounted in metal). Testing of the application under real operating conditions is therefore essential, especially with on-the-fly reading and writing!

## Technical data

Housing material	Plastic, PPA-GF30
Active area material	Plastic, yellow
Protection class	IP68
Packaging unit	10

## Operating instructions

Intended use

This tag corresponds to the requirements for simple apparatus according to EN 60079-14, 5.12.2 and may, under certain conditions, be used in the Ex area. The requirements of EN 60079-14 must be observed in this case.

---