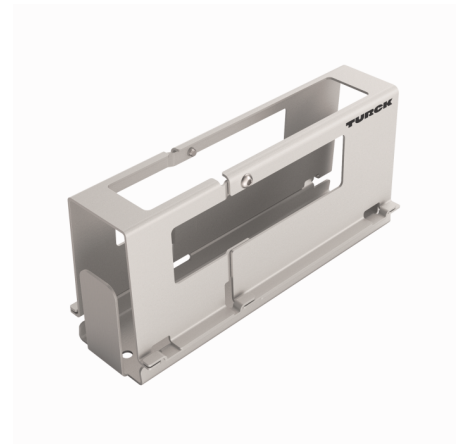
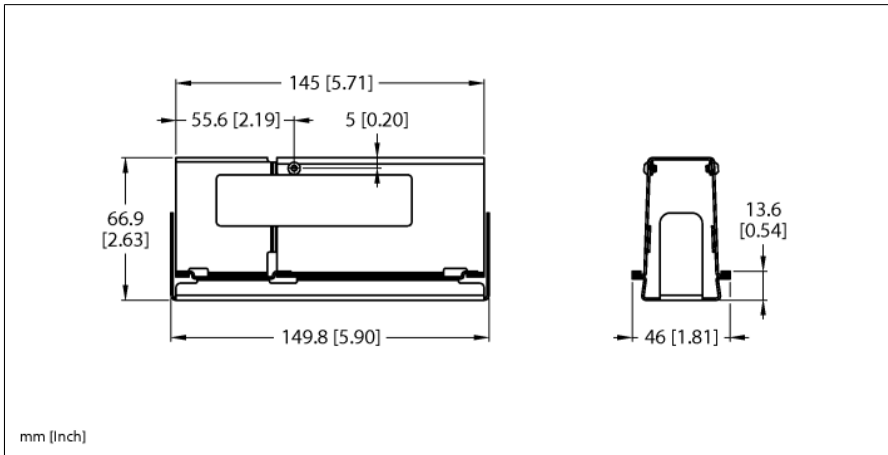


# TBxx-S Metal Protective Housing for EX Applications TB-SG-S



- Installation in ATEX Zone 2/22
- Module types: TBEN-S

Type	TB-SG-S
ID	100014866
<b>General Information</b>	
Ambient temperature	-40...+70 °C
Housing material	Stainless steel 1 mm