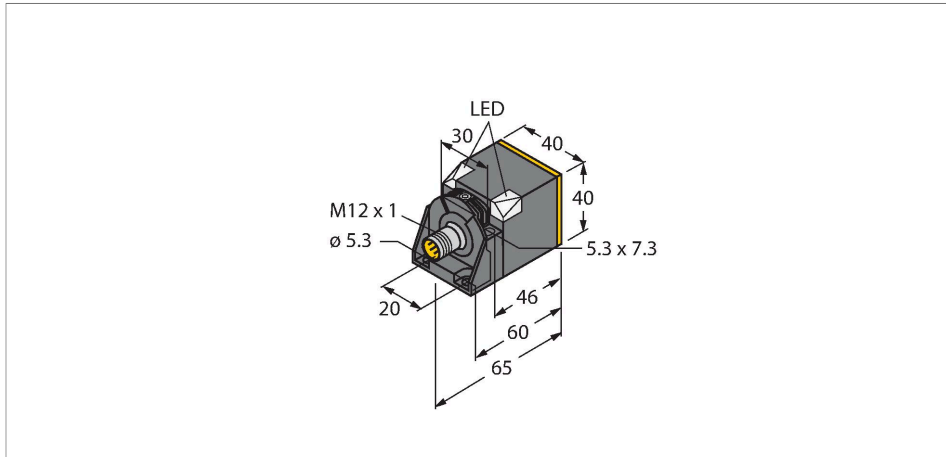


# NI40C-CK40-VP6X2-H1141

## Inductive Sensor – For Detecting Carbon Materials



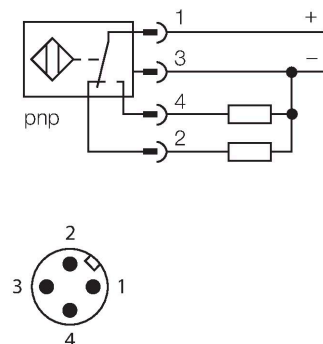
### Technical data

Type	NI40C-CK40-VP6X2-H1141
ID	100015716
<b>General data</b>	
Rated switching distance	40 mm
	The rated operating distance is based on a standard target made of steel. The operating distance may vary depending on the composition of the carbon material.
Mounting conditions	Non-flush
Secured operating distance	$\leq (0.81 \times S_n)$ mm
Repeat accuracy	$\leq 2\%$ of full scale
Temperature drift	$\leq \pm 10\%$
Hysteresis	3...15 %
<b>Electrical data</b>	
Operating voltage	10...30 VDC
Residual ripple	$\leq 10\% U_{ss}$
DC rated operational current	$\leq 100$ mA
No-load current	20 mA
Residual current	$\leq 0.1$ mA
Isolation test voltage	$\leq 0.5$ kV
Short-circuit protection	yes / Cyclic
Voltage drop at $I_o$	$\leq 1.8$ V
Wire breakage/Reverse polarity protection	yes / Complete
Output function	4-wire, Complementary contact, PNP
Switching frequency	0.25 kHz

### Features

- Rectangular, height 40 mm
- Variable orientation of active face in 5 directions
- Plastic, PBT-GF30-V0
- High luminance corner LEDs
- Optimum view on supply voltage and switching state from any position
- Carbon detection
- Protection class IP68
- Resistant to magnetic fields
- Extended temperature range
- High switching frequency
- DC 4-wire, 10...30 VDC
- Changeover contact, PNP output
- M12 x 1 male connector

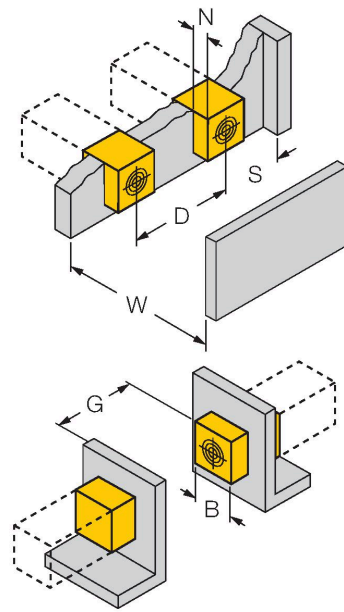
### Wiring diagram



## Technical data

Mechanical data	
Design	Rectangular, CK40
Dimensions	65 x 40 x 40 mm
	variable orientation of active face in 5 directions
Housing material	Plastic, PBT-GF20-V0, Black
Active area material	Plastic, PA12-GF30, yellow
Electrical connection	Connector, M12 × 1
Environmental conditions	
Ambient temperature	0...+100 °C
Vibration resistance	55 Hz (1 mm)
Shock resistance	30 g (11 ms)
Protection class	IP68
MTTF	874 years acc. to SN 29500 (Ed. 99) 40 °C
Power-on indication	2 × LEDs, Green
Switching state	2 × LEDs, Yellow
Included in delivery	Fixing clamp BS4-CK40

## Mounting instructions

Mounting instructions/Description		
	Distance D	240 mm
	Distance W	105 mm
	Distance S	60 mm
	Distance G	300 mm
	Distance N	30 mm
	Width active area B	40 mm

## Accessories

**BSS-CP40****6901318**

Mounting clamp for rectangular housings 40 x 40 mm; material: Polypropylene

