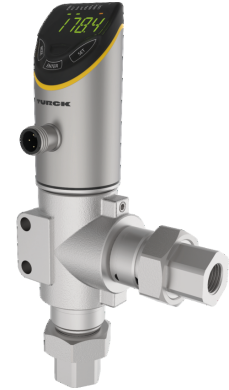
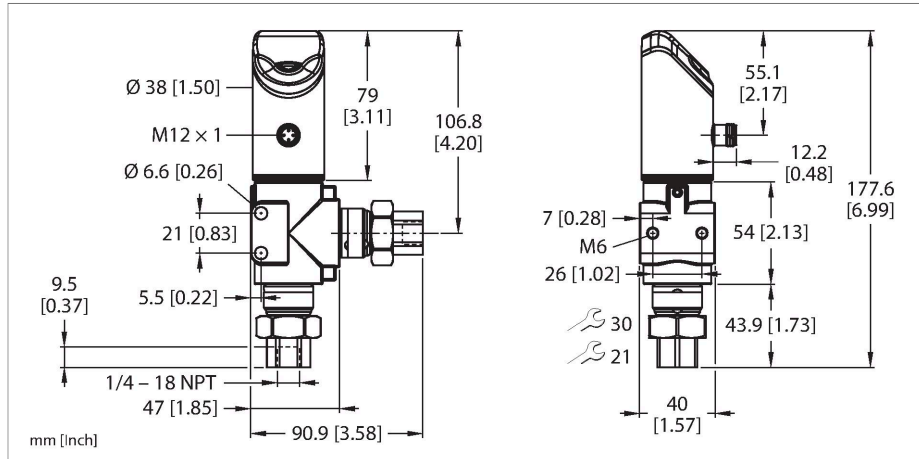


# PS326-10D-02-2UPN8-H1141

## Pressure Sensor – Differential Pressure: 0...10 bar



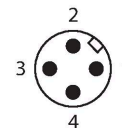
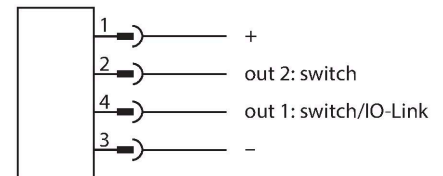
### Technical data

Type	PS326-10D-02-2UPN8-H1141
ID	100017566
Medium temperature	-30...+80 °C
Application area	Liquids and gases
Pressure range	
Pressure type	Differential Pressure
Pressure range	0...10 bar
	0...145.04 psi
	0...1 MPa
Admissible overpressure	≤ 50 bar
Burst pressure	≥ 50 bar
Response time	≤ 3 ms
Electrical data	
Operating voltage $U_b$	18...33 VDC
Protective measure	SELV; PELV according to EN 50178
Short-circuit/reverse polarity protection	yes, cyclic / yes (voltage supply)
Capacitive load	100 nF
Insulation class	III
Outputs	
Output 1	Switching output or IO-Link mode
Output 2	Switching output
Switching output	
Communication protocol	IO-Link
Output function	NO/NC, PNP/NPN

### Features

- 4-digit, 2-color (red/green), 12-segment display, rotatable by 180°
- Housing is rotatable after mounting the process connection
- Pressure range 0...10 bar diff.
- 18...33 V DC
- NO/NC contact, PNP/NPN output, IO-Link
- L-type
- Process connection 1/4 inch NPT-18 female thread
- Connector device, M12 × 1

### Wiring diagram



### Functional principle

The PS325/6 differential pressure sensors have two pressure connections with ceramic measuring cells to detect different pressures, from which the difference is formed. As a result of the pressure acting on the ceramic

## Technical data

Rated operational current	0.25 A
Switching frequency	≤ 300 Hz
Switching point distance	≥ 0.5 %
Switch point:	(Min. + 0.005 × range)...100 % of full scale
Release point(s)	Min. up to (SP - 0.005 × range)
Switching cycles	≥ 100 mil.
Accuracy LHR	± 0.5 % FS BSL
<b>IO-Link</b>	
IO-Link specification	V 1.1
IO-Link port type	Class A
Transmission physics	Corresponds to 3-wire physics (PHY2)
Transmission rate	COM 2/38.4 kbps
Process data width	16 bit
Measured value information	14 bit
Switching point information	2 bit
Frame type	2.2
Minimum cycle time	3 ms
Programming	FDT/DTM
Included in the SIDI GSDML	Yes
<b>Programming</b>	
Programming options	Switching/release points; PNP/NPN; NC contact/NO contact; hysteresis/window mode; damping; pressure unit; peak pressure memory
<b>Mechanical data</b>	
Housing material	Stainless-steel/Plastic, 1.4404 (AISI 316L)/Grilamid TR90 UV/Elastollan C 65 A 15 HPM 000/Ultramid A3X2G5
Materials (contact with media)	Stainless steel 1.4404 (AISI 316L), Al <sub>2</sub> O <sub>3</sub> , FKM
Process connection	1/4" NPT-18 female thread
Wrench size pressure connection / coupling nut	30
Max. tightening torque of housing nut	35 Nm
Electrical connection	Connector, M12 × 1
Protection class	IP66 IP67 IP69K
<b>Environmental conditions</b>	
Ambient temperature	-40...+80 °C
Storage temperature	-40...+80 °C

measuring cell, a signal that is proportional to the pressure is generated and processed electronically. Depending on the sensor variant, either switching or analog signals are available. All PS325/6 variants have IO-Link. The PS325/6 sensors operate in various positive pressure ranges up to a differential of 250 bar. The connection with higher pressure can be configured via the menu (High-site switch).

## Technical data

Shock resistance	50 g (11 ms) EN 60068-2-27
EMV	EN 61000-4-2 ESD:4 kV CD/8 kV AD EN 61000-4-3 HF radiated: 15 V/m EN 61000-4-4 Burst: 2 kV EN 61000-4-6 HF cable-bound: 10 V EN 61000-6-2 0.5 kV, 42 Ω EN 61326-2-3
<b>Tests/approvals</b>	
Approvals	CE Metrological certification (RUS) cULus
UL registration number	E183243
<b>Reference conditions acc. to IEC 61298-1</b>	
Temperature	15...+25 °C
Atmospheric pressure	860...1030 hPa abs.
Humidity	45...75 % rel.
Auxiliary power	24 VDC
<b>Displays/Operating elements</b>	
Display	4-digit 12-segment display, rotatable by 180°, red or green
Switching state	2 × LEDs, Yellow
Unit display	5 x LEDs green (bar, psi, kPa, MPa, misc)
MTTF	110 years acc. to SN 29500 (Ed. 99) 40 °C