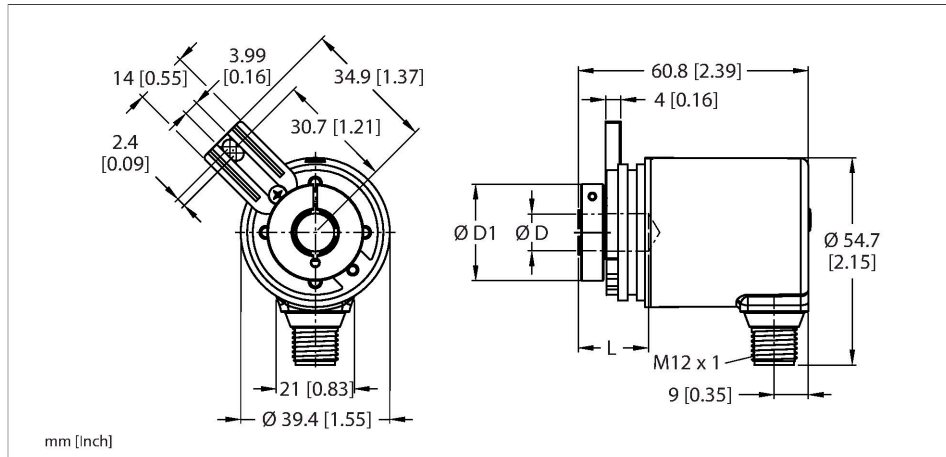


# REM-191B6T-IOL32B-H1141

## Absolute Rotary Encoder - Multiturn – IO-Link

### Industrial Line



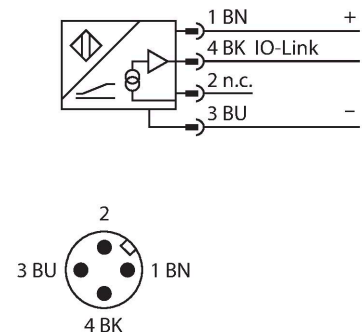
### Features

- Flange with long torque stop
- Hollow shaft, Ø 6mm
- Optical measuring principle
- Shaft material, stainless steel
- IP67 rated on the shaft side
- -40...+85 °C
- Max. 4000 rev/min
- 18...30 VDC
- M12 x 1 male connection, 4-pin
- Singleturn resolution 14 bit scalable, default 14 bit
- Multiturn resolution scalable only to 18 bits over total resolution, default 18 bits
- Total resolution 32 bit scalable, default 32 bit

### Technical data

Type	REM-191B6T-IOL32B-H1141
ID	100018247
Measuring principle	Magnetic
<b>General data</b>	
Max. rotational speed	4000 rpm
Starting torque	< 0.01 Nm
Repetition accuracy	± 0.2 °
Absolute accuracy	± 0.5 °
Output type	Absolute multiturn
<b>Electrical data</b>	
Operating voltage $U_b$	18...30 VDC
No-load current	≤ 40 mA
Short-circuit protection	yes
Wire break/reverse polarity protection	yes
Communication protocol	IO-Link
<b>IO-Link</b>	
IO-Link specification	V 1.1
Programming	FDT/DTM
<b>Mechanical data</b>	
Flange type	Flange with mounting element
Flange diameter	Ø 36 mm
Shaft Type	Blind hole shaft
Shaft diameter D (mm)	6

### Wiring diagram



## Technical data

Shaft Length L [mm]	18.5
Outer diameter of compression fitting D1	24 mm
Shaft material	Stainless steel
Housing material	Die-cast zinc
Electrical connection	Connector, M12 × 1
Axial shaft load	20 N
Radial shaft load	40 N
<b>Environmental conditions</b>	
Ambient temperature	-40...+85 °C
Vibration resistance (EN 60068-2-6)	300 m/s <sup>2</sup> , 10...2000 Hz
Shock resistance (EN 60068-2-27)	30 g (300 m/s <sup>2</sup> ), 10...2000 Hz
Protection class	IP67
Protection class shaft	IP67
MTTF	25 years