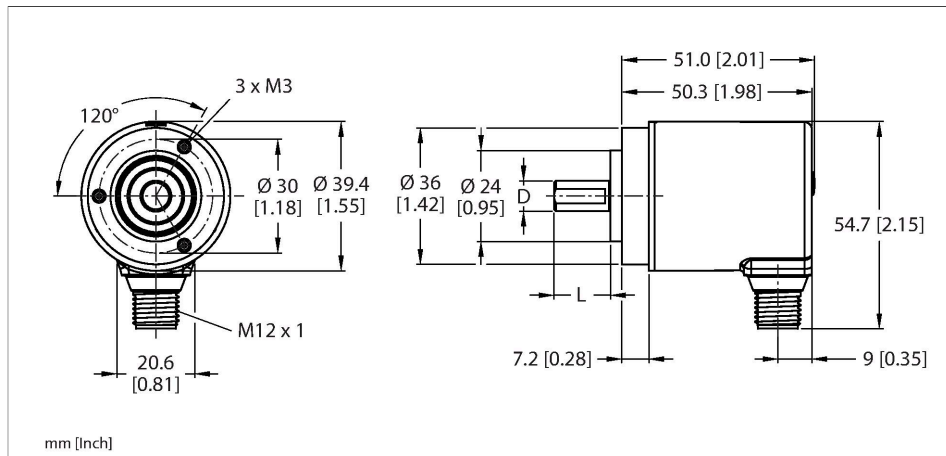


RES-192S10C-IOL14B-H1141

Absolute Rotary Encoder - Singleturn – IO-Link Industrial Line



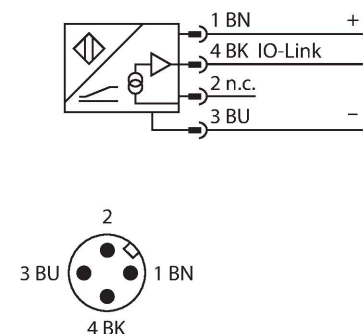
Technical data

Type	RES-192S10C-IOL14B-H1141
ID	100020143
Measuring principle	Magnetic
General data	
Max. rotational speed	4000 rpm
Starting torque	< 0.01 Nm
Measuring range	0...360 °
Repetition accuracy	± 0.2 ° At 25 °C
Absolute accuracy	± 1 ° At 25 °C
Output type	Absolute singleturn
Resolution singleturn	14 Bit
Electrical data	
Operating voltage U_B	18...30 VDC
No-load current	≤ 30 mA
Short-circuit protection	yes
Wire break/reverse polarity protection	yes
Communication protocol	IO-Link
IO-Link specification	V 1.1
Programming	FDT/DTM
Mechanical data	
Flange type	Clamping flange
Flange diameter	Ø 36 mm
Shaft Type	Solid shaft

Features

- Clamping flange, Ø 36 mm
- Solid shaft, Ø 10 mm × 20 mm
- Magnetic measuring principle
- Shaft material: stainless steel
- IP67 rated on the shaft side
- -40...+85 °C
- Max. 4000 rev/min
- 10-30 VDC
- SSI (Binary Code)
- M12 connection, 8-pin
- 360° resolved in 14 bit (16384 positions)

Wiring diagram



Technical data

Shaft diameter D (mm)	10
Shaft Length L [mm]	20
Shaft material	Stainless steel
Housing material	Die-cast zinc
Electrical connection	Connector, M12 × 1
Axial shaft load	20 N
Radial shaft load	40 N
Environmental conditions	
Ambient temperature	-40...+85 °C
Vibration resistance (EN 60068-2-6)	300 m/s ² , 10...2000 Hz
Shock resistance (EN 60068-2-27)	2500 m/s ² , 6 ms
Protection class	IP67
Protection class shaft	IP67

Accessories

<p>RA-BC-20-06-10 100048779</p> <p>Bellows coupling with aluminum hub Ø 20 mm; d1 = 6 mm, d2 = 10 mm</p> <p>● 2 mm 1.5 Nm</p>	<p>RA-BC-20-08-10 100048781</p> <p>Bellows coupling with aluminum hub Ø 20 mm; d1 = 8 mm, d2 = 10 mm</p> <p>● 2 mm 1.5 Nm</p>
<p>RA-BC-20-10-10 100048782</p> <p>Bellows coupling with aluminum hub Ø 20 mm; d1 = 10 mm, d2 = 10 mm</p> <p>● 2 mm 1.5 Nm</p>	<p>RA-BC-20-10-12 100048783</p> <p>Bellows coupling with aluminum hub Ø 20 mm; d1 = 10 mm, d2 = 12 mm</p> <p>● 2 mm 1.5 Nm</p>
<p>RA-BC-E-20-06-10 100048786</p> <p>Stainless steel bellows coupling Ø 20 mm; d1 = 6 mm, d2 = 10 mm</p> <p>● 2 mm 0.7 Nm</p>	<p>RA-BC-E-20-10-10 100048787</p> <p>Stainless steel bellows coupling Ø 20 mm; d1 = 10 mm, d2 = 10 mm</p> <p>● 2 mm 0.7 Nm</p>
<p>RA-BC-E-20-10-12 100048788</p> <p>Stainless steel bellows coupling Ø 20 mm; d1 = 10 mm, d2 = 12 mm</p> <p>● 2 mm 0.7 Nm</p>	<p>RA-SDC-30-10-10 100048792</p> <p>Spring disc coupling Ø 30 mm; d1 = 10 mm, d2 = 10 mm</p> <p>● 2.5 mm 1.2 Nm</p>
<p>RA-SDC-30-10-12 100048793</p> <p>Spring disc coupling Ø 30 mm; d1 = 10 mm, d2 = 12 mm</p> <p>● 2.5 mm 1.2 Nm</p>	<p>RA-HC-25-10-10 100048796</p> <p>Aluminum helix coupling Ø 25 mm; d1 = 10 mm, d2 = 10 mm</p> <p>● 2 mm 1.2 Nm</p>

RA-HC-25-10-12

100048797

Aluminum helix coupling \varnothing 25 mm; d1 = 10 mm, d2 = 12 mm

