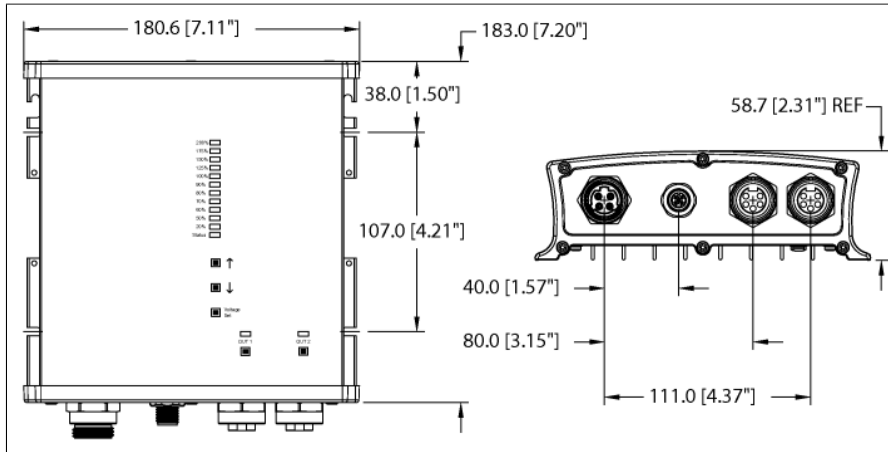


Smart Power Supply Module in IP67

24...28 VDC Output Voltage

3-Phase, 2 × 10 A Output Current

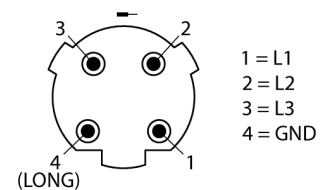
PSU67-3P-1MP-2M5-24200-F



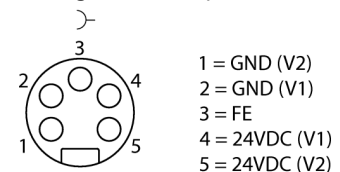
Type	PSU67-3P-1MP-2M5-24200-F
ID	100025679
Nominal voltage	Universal voltage supply unit
Operating voltage	320...550 VAC
Frequency	50...60 Hz
Power dissipation, typical	≤ 23 W
PFC	0.95
Efficiency	95 %
External fuse	B-6A, C-6A
Internal fuse	V1 + V2 bridged
Nominal output voltage	24 V
Nominal current	20 A
Output power	600 W (up to +45 °C) 500 W (up to +55 °C) 350 W (up to +70 °C) 1000 W (+55 °C, up to max. 5 sec.) 700 W (+70 °C, up to max. 5 sec.)
Parallel mode	no
Ripple	100 mV
Short-circuit behaviour	Current limiting
Approval	CE cULus RoHS SEMI F47
Protection class	IP67
Ambient temperature	-25...+70 °C
Storage temperature	-40...+85 °C
Dimensions	183 x 180.6 x 58.7 mm
Weight	1677 g

- Broad temperature range
- Status LED
- High efficiency, > 95 %
- 3-phase AC input, 7/8" multi-coded
- Current-limited outputs, 2 × 7/8", 5-pin
- Protection by eFuse (V1 + V2 bridged)
- Relay contact for checking the DC status
- LED interface and control knobs for maximum flexibility

Input assignment 7/8" (XD1)



Output assignment 7/8" (XD2 and XD3)



M12 Output-OK Assignment

