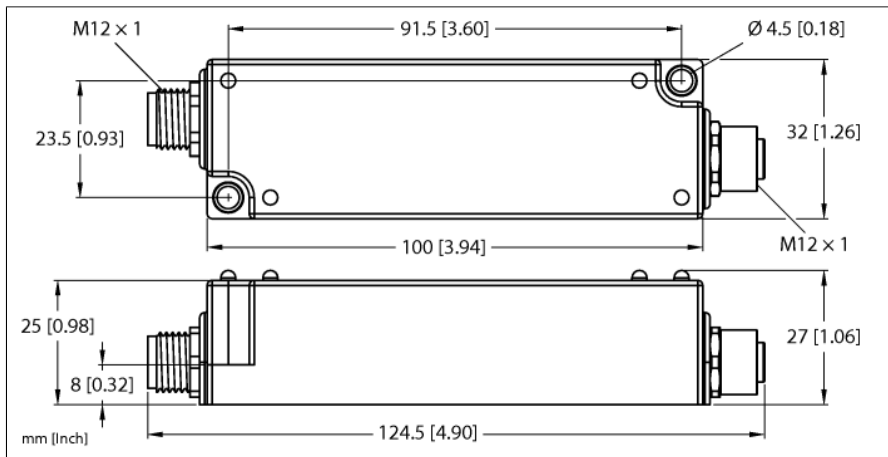


Fieldbus Technology Accessories

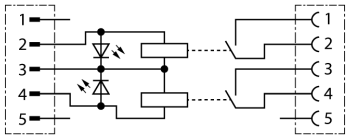


Decoupling Box

TBSB-I1-2RO04



- Input female connector, M12, A-coded
- Output male connector, M12, A-coded, two independent switching contacts
- For decoupling two PNP outputs to two independent potential-free relay contacts

Type	TBSB-I1-2RO04
ID	100026893
Supply	
Supply voltage	24 VDC
Admissible range	19.2...27.6 VDC
System power supply	24 VDC
Voltage supply connection	M12
Switching current	4 A
Electrical isolation	Electrical isolation between input and output, contact-based
Power dissipation, typical	≤ 2 W
Max. power on time	3600 cyc/h
Connectivity inputs	M12, 5-pin
Connectivity outputs	M12, 5-pin
Directive	2014/30/EC EMC Directive
Shock test	acc. to EN 60068-2-27
Drop and topple	acc. to IEC 60068-2-31/IEC 60068-2-32
General Information	
Ambient temperature	-25...+40 °C
Storage temperature	-25...+50 °C
Altitude	Max. 2000 m
Protection class	IP67
Housing material	Polycarbonate/ABS
Ground label material	Polycarbonate/ABS
Halogen-free	yes
Mounting	Potted housing

	<p>Accessories Circuit diagram</p>	
 <p>1 = n.c. 2 = IN2 3 = GND 4 = IN1 5 = n.c.</p>	<p>Accessories M12, A-coded input connector for activating two PNP outputs of a TBEN module. First relay switched by M12 X1 input PIN 4 to PIN 3 Second relay switched by M12 X1 input PIN 2 to PIN 3</p>	
 <p>1 = 23 2 = 24 3 = 13 4 = 14 5 = n.c.</p>	<p>Accessories Output of first contact X2 PIN 3/13 and PIN 4/14, Output of second contact X2 PIN 1/23 and PIN 2/24</p>	