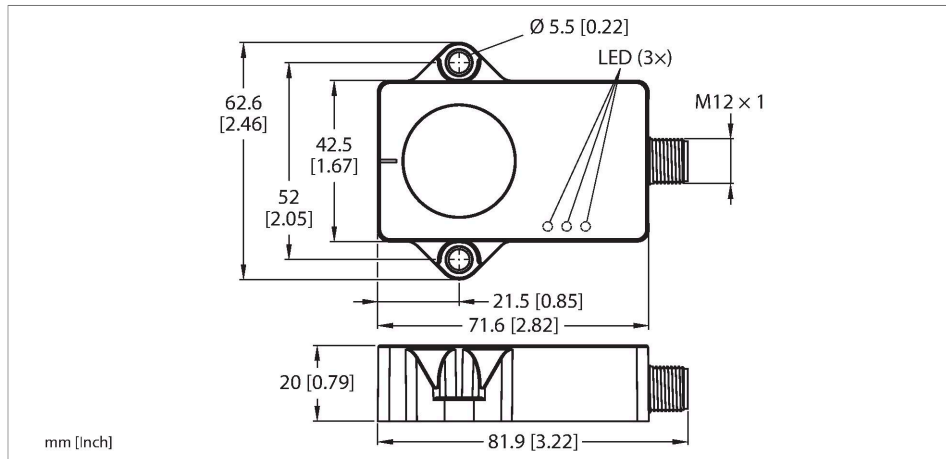


B1N360V-QR20-2UPN6X3-H1141

Inclinometer



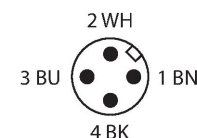
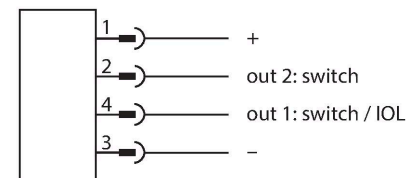
Technical data

Type	B1N360V-QR20-2UPN6X3-H1141
ID	100026933
Measuring principle	Acceleration
General data	
Measuring range	0...360 °
Number of measuring axes	1
Repeat accuracy	≤ 0.05 % of full scale
Temperature drift	≤ ± 0.006 %/K
Electrical data	
Operating voltage	10...30 VDC
Residual ripple	≤ 10 % U _{ss}
DC rated operational current	≤ 200 mA
Isolation test voltage	≤ 0.5 kV
Wire breakage/Reverse polarity protection	yes
Output function	4-pin, NO/NC, PNP/NPN
Current consumption	< 50 mA
Mechanical data	
Design	Rectangular, QR20
Dimensions	71.6 x 62.6 x 20 mm
Housing material	Plastic, Ultem
Electrical connection	Connector, M12 × 1
Environmental conditions	
Ambient temperature	-40...+85 °C
Temperature changes (EN60068-2-14)	-40... +85 °C; 20 cycles

Features

- Rectangular, plastic, Ultem
- Status displayed via LED
- Angle detection via one axis with 360 ° measuring range and two freely configurable switching outputs (PNP/NPN)
- High protection class IP68/IP69K
- Protected against salt spray and rapid temperature change
- 10...30 V DC
- Male connector, M12 × 1, 4-pin
- Parameterization via IO-Link with USB-2-IOL-0002

Wiring diagram



Functional principle

The inclinometers use an acceleration measuring cell to determine the angle. The Earth's gravity is used as a reference. If the inclinometer changes its angle relative to

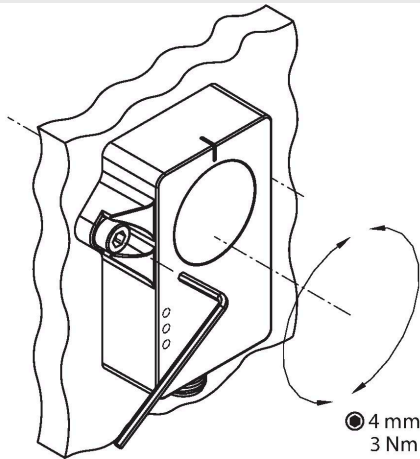
Technical data

Vibration resistance (EN 60068-2-6)	20 g; 5 h/axis; 3 axes
Shock resistance (EN 60068-2-27)	150 g; 4 ms ½ sine
Protection class	IP68 IP69K
MTTF	548 years acc. to SN 29500 (Ed. 99) 40 °C
Power-on indication	LED, Green
Switching state	2 × LEDs, Yellow

the Earth's gravity, this is detected by the acceleration measuring cell. The robust sensors are positioned with the cast side on a flat surface so that the casting compound is covered. The sensor is then secured with two screws.

Mounting instructions

Mounting instructions/Description



The measuring principle used makes mounting and commissioning the device easy, e.g. because being adjacent to metal does not interfere with the measuring principle. A green LED indicates whether the sensor is being properly supplied with power. The green flashing LED indicates that the parameterization interface is active.

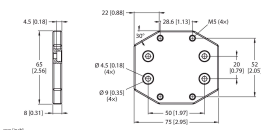
One yellow LED per inclination axis acts as a zero-position indicator to aid commissioning. It is constantly illuminated when the position of the inclinometer is in a window of $\pm 0.5^\circ$ around the center point. The LED flashes with increasing frequency the nearer the sensor gets to the center point position. This function is disabled in the factory setting.

In the factory setting, the switching outputs in PNP logic have a range of $\pm 3^\circ$ in an inclination position with the male connector pointing downward. OUT 1 is switched within this window and OUT 2 is switched outside of this window. The yellow LEDs indicate the switching status of the outputs.

Accessories

AP-Q20L60-QR20

100029224



Adapter plate for mounting the QR20 housing with mounting holes for the Q20L60 housing

Wiring accessories

Dimension drawing	Type	ID	
	RKC4.4T-2-RSC4.4T/TXL	6625608	Extension cable, M12 female connector, straight, 4-pin to M12 male connector, straight, 4-pin; cable length: 2 m, jacket material: PUR, black; cULus approval
	RKC4.4T-2/TXL	6625503	Connection cable, M12 female connector, straight, 4-pin, cable length: 2 m, jacket material: PUR, black; cULus approval