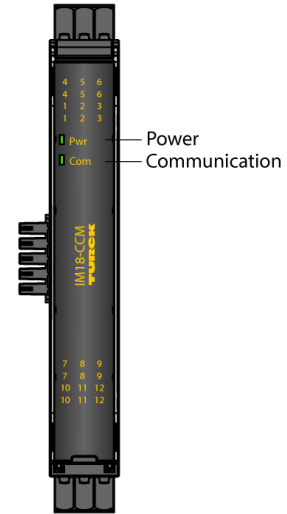
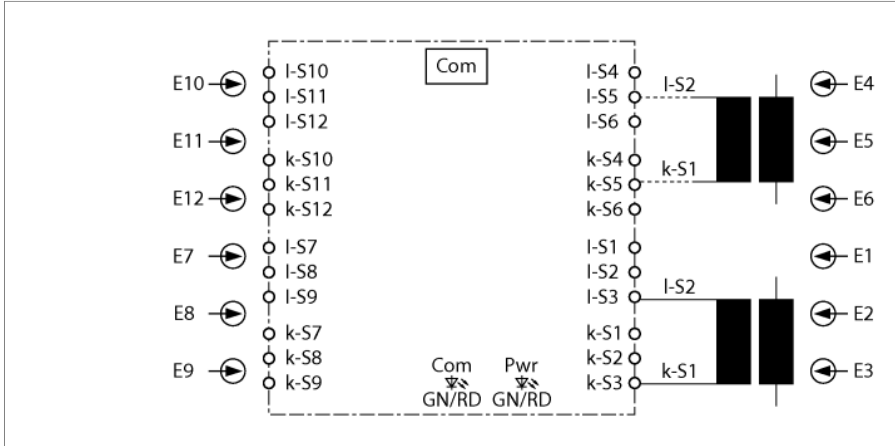


Current measurement module IM18-CCM51-12I



The current measurement module IM18-CCM51-12I is an additional module for the cabinet guards IM18-CCM50-MTI/24VDC and IM18-CCM60-MTI/24VDC. Up to 12 TDK current sensors from the CCT product series can be connected to the current measurement module. The device evaluates current sensors with a measuring range of 30...600 A and records the signal frequency of the sensors.

The information is transmitted via the backplane bus to the cabinet guard IM18-CCM50... The device is also supplied with power via the backplane bus connector.

The status LEDs display information about the operating status and communication.

The device is equipped with removable spring-type terminals for connecting the current sensors.

To save space, the narrow, 18-mm housings can be easily mounted in any control cabinet on a DIN rail in accordance with EN 60715.

The device is equipped with removable spring-type terminals.

- Connection of up to 12 AC current sensors
- Evaluation of current sensors up to max. 600 A
- Can be operated in conjunction with the IM18-CCM50-MTI/24VDC and IM18-CCM60-MTI/24VDC
- Communication and supply via backplane bus
- DIN rail mounting according to DIN Rail EN 60715
- For measuring transformers in the CCT product series from TDK

Type	IM18-CCM51-12I
ID	100027058
Nominal voltage	24 VDC
Operating voltage U_s	20...30 VDC
Input current	0...350 mA
Sensor input	3000:1

Response characteristic	
Measuring accuracy (including linearity, hysteresis and repeatability)	$\leq 2\%$ of full scale

Mechanical data	
Protection class	IP20
Flammability class acc. to UL 94	V-0
Ambient temperature	0...+70 °C
Storage temperature	-25...+75 °C
Dimensions	120 x 17.5 x 128 mm
Weight	219 g
Mounting instructions	DIN rail (NS35)
Housing material	Plastic, Polycarbonate/ABS
Electrical connection	Removable spring-type terminals, 3-pin
Terminal cross-section	2.5 mm ²

Environmental conditions	Operating height	Up to 2000 m above sea level		
	Pollution degree	II		
	Standards used			
	Voltage resistance and insulation		EN 50178	
			EN 61010-1	
	Shock		EN 60068-2-6	
			EN 60068-2-27	
	Temperature		EN 60068-2-1 Ad	
			EN 60068-2-2 Bd	
			EN 60068-2-1	
			EN 60068-2-38	
	Air humidity		EN 60068-2-38	
		EMC		EN 61000-4-2
				EN 61000-4-3
				EN 61000-4-4
				EN 61000-4-5
				EN 61000-4-6
			EN 61000-4-8	
	Emission		CISPR16	

