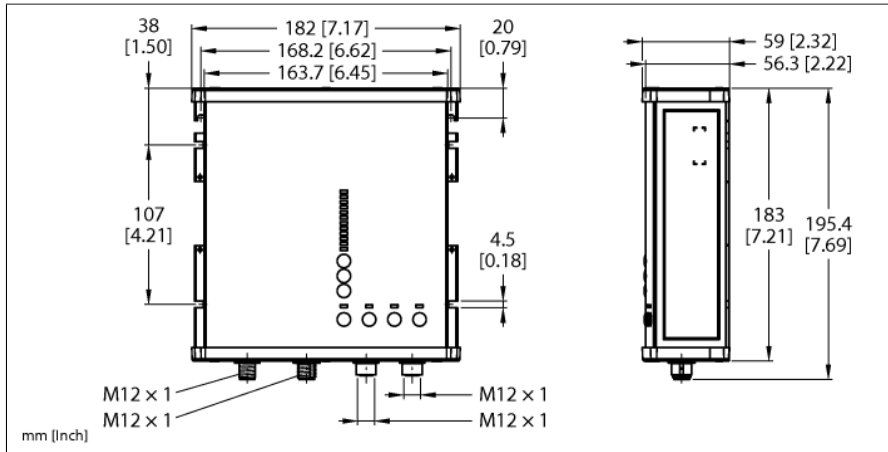


Smart Power Supply Module in IP67

24...28 VDC Output Voltage

1-Phase, 15-A Output Current, IO-Link Interface

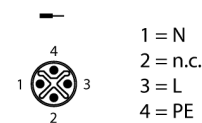
PSU67-1P-1S-2L-24150-IOL-F



Type	PSU67-1P-1S-2L-24150-IOL-F
ID	100028305
Nominal voltage	Universal voltage supply unit
Operating voltage	100...240 VAC
Frequency	50...60 Hz
Operating voltage U_o	100...300 VDC
Power dissipation, typical	≤ 16.2 W
PFC	0.95
Efficiency	95 %
External fuse	B-6A, C-6A
Internal fuse	4 separate eFuses
Nominal output voltage	24 V
Nominal current	15 A
Output power	360 W (up to +45 °C) 300 W (up to +55 °C) 150 W (up to +70 °C) 600 W (+55 °C, up to max. 5 sec.) 300 W (+70 °C, up to max. 5 sec.)
Parallel mode	no
Ripple	50 mV
Short-circuit behaviour	Current limiting
Approval	CE cULus RoHS SEMI F47
Protection class	IP67
Ambient temperature	-25...+70 °C
Storage temperature	-40...+85 °C
Dimensions	183 x 180.6 x 58.7 mm
Weight	1542 g

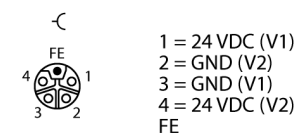
- Broad temperature range
- Status LED
- High efficiency, > 95 %
- 1-phase AC input, M12 S-coded
- Current-limited outputs, 2 × M12 L-coded
- Protected by 4 separate eFuses
- IO-Link interface for checking and parameterization
- LED interface and control buttons for maximum flexibility

Input assignment M12 S-coded (XD1)



Output assignment M12 L-coded (OUT1&2

— XD2 | OUT 3&4 — XD3)



M12 IO-Link Assignment

