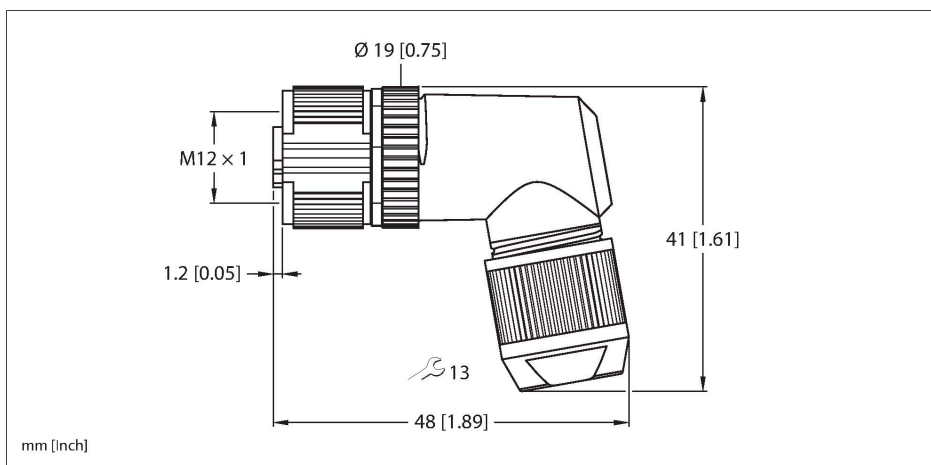


FW-EWKSM0426-FD-P-0408

Field-Wireable Connector – Industrial Ethernet

Female Connector M12 × 1, Angled



Technical data

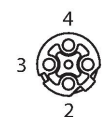
Type	FW-EWKSM0426-FD-P-0408
ID	100033308
Connector A	Female, M12 × 1, Angled, D-code
Number of contacts	4
Contacts	Bronze, CuSn, Nickel Sublayer and Gold Coating
Contact carriers	Plastic, PA 6.6, Black
Connector body	Die-cast Zinc, GD-Zn, nickel-plated
Coupling nut	Die-cast Zinc, GD-Zn, Nickel-plated
Connector seal	Plastic, NBR
Tightening torque (range)	0.4 ... 0.4 Nm (note max. torque of mating connector!)
Acceptable cable diameter	4...8 mm
Core cross-section/Clamping ability	0.14...0.75 mm ²
Connection mode	Push-in connection
Mechanical life	> 100 Mating cycles
Protection class (When coupled)	IP65, IP67, (screwed together)
Fieldbus	Ethernet EtherNet/IP Ethernet CAT5E PROFINET
Shielding	yes
Electrical properties at +20 °C	
Rated voltage	60 V _{AC} /60 V _{DC}

Features



- For use in Ethernet applications
- Shielding via iris spring connection
- D-coding
- Metal housing
- Push-in connection
- 4-pin
- Metal housing, shielded
- Cable feedthrough: 4.0...8.0 mm
- Terminal capacity:
 - 0.14...0.75 mm² (without cable end sleeve)
 - 0.08...0.5 mm² (with cable end sleeve)
- Approval: cULus
- Flammability class acc. to UL 94 V0
- RoHS compliant
- Protection class: IP65, IP67

Contact assignment



- Ethernet**
- 1 = WHITE/ORANGE (+TX)
 - 2 = WHITE/GREEN (+RX)
 - 3 = ORANGE (-TX)
 - 4 = GREEN (-RX)
- PROFINET**
- 1 = YELLOW (+TX)
 - 2 = WHITE (+RX)
 - 3 = ORANGE (-TX)
 - 4 = BLUE (-RX)

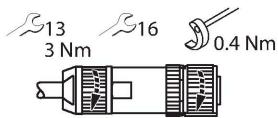
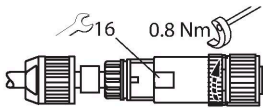
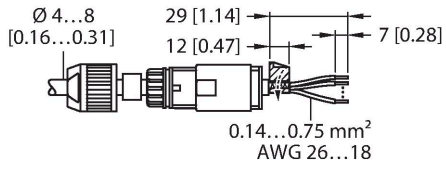
Technical data

Insulation resistance $\geq 10^8 \Omega$

Mechanical and chemical properties

Ambient temperature range (static) -40...+85 °C

Approvals cULus



mm [Inch]