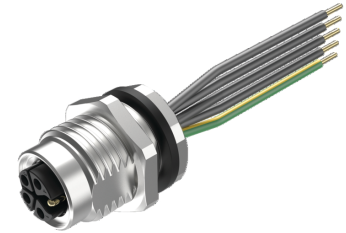
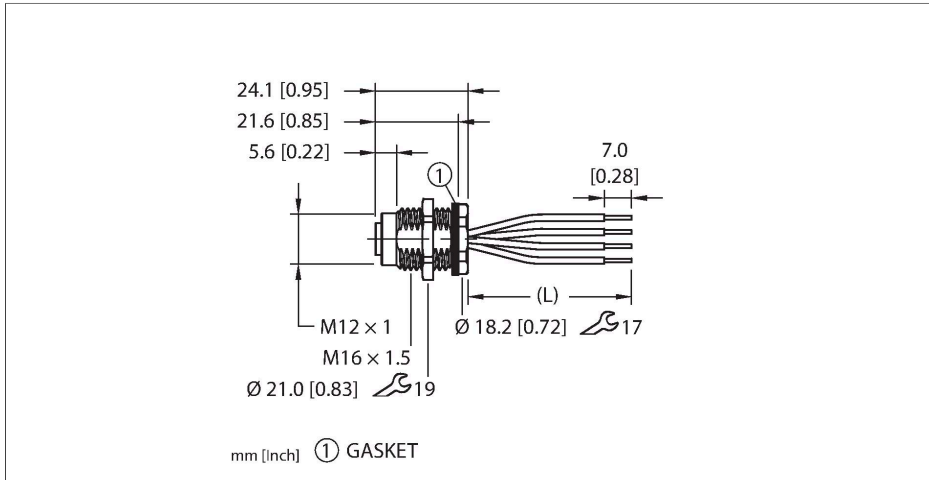


FKFD56PK-0.5/M16

M12 Power Receptacle – Rear Mount



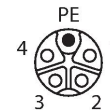
Features



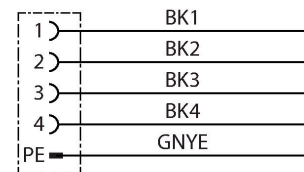
- M12 female connector, K-coded, 4-pin + PE
- Mounting thread: M16 x 1.5

Contact assignment

Connector A



Circuit Diagram



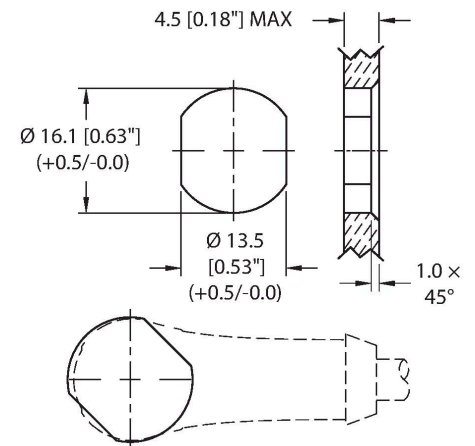
Technische Daten

Type	FKFD56PK-0.5/M16
ID	100033946
Connector A	Female, M12 × 1, K-code
Design specification	Acc. to IEC 61076-2-111
Number of contacts	4+PE
Contacts	Brass, CuZn, Gold-plated
Contact carriers	Plastic, PA, Black
Connector seal	O-ring, Plastic, FKM/FPM
Housing material/finish	Brass, CuZn, Nickel-plated
Tightening torque (range)	0.4 ... 1 Nm (note max. torque of mating connector!)
Mounting orientation	Rear mount
Panel seal	Gasket, Rubber, NBR
Mounting thread	M16 × 1.5
Locknut	Brass, CuZn, Nickel-plated
Receptacle mounting torque	2.5...7.3 Nm
Mechanical life	> 100 Mating cycles
Pollution degree	3
Protection class (When coupled)	IP67, IP68 NEMA: 1, 3, 4, 6P
Conductor data	
Length (L)	0.5 m, 0.5 m, (+50mm or 4% of length/-0.0, Whichever is greater)
Conductor material	TC (tinned copper)

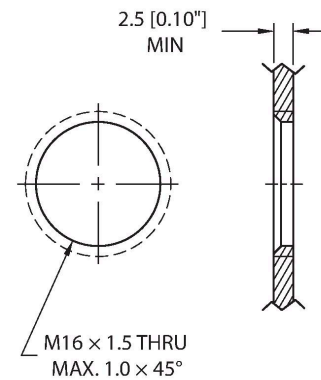
Technische Daten

Conductor insulation material	PVC
Conductor size	5 x 16 AWG [Similar to 1.50 mm ²]
Conductor colors	BK1, BK2, BK3, BK4, GN/YE
Electrical properties at +20 °C	
Rated voltage	600 V
Current	12 A
Mechanical and chemical properties	
Ambient temperature range (static)	-40...+85 °C
Note	
- CAUTION: RISK OF ELECTRICAL SHOCK. DO NOT DISCONNECT UNDER LOAD.	
- We reserve the right to make technical alterations without prior notice.	

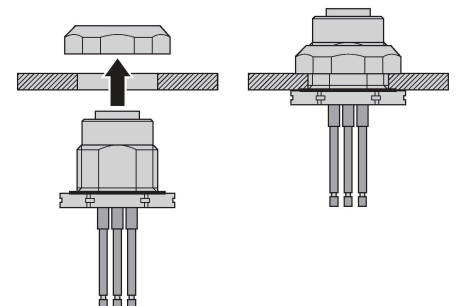
Mounting hole - Through



Mounting hole - Threaded



Rear-mounted

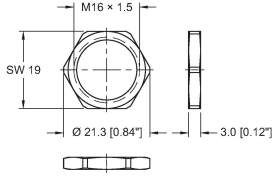


Montagezubehör

LOCKNUT-M16-BRASS-(10/BAG)

A9579

Locknut, M16, Brass, Nickel-plated, 10 per bag



DECAL,9-CLRS,RECEPT+BOXES,EURO(QTY1)

100008955



1 decal sticker containing 9 different color sets of 11 decals to color code a sensor, junction block port, cable end, or receptacle. 5ct 4x9mm rectangles, 4ct 8x19mm rectangles, 1ct 27mm ID ring, 1ct 20mm ID ring.

