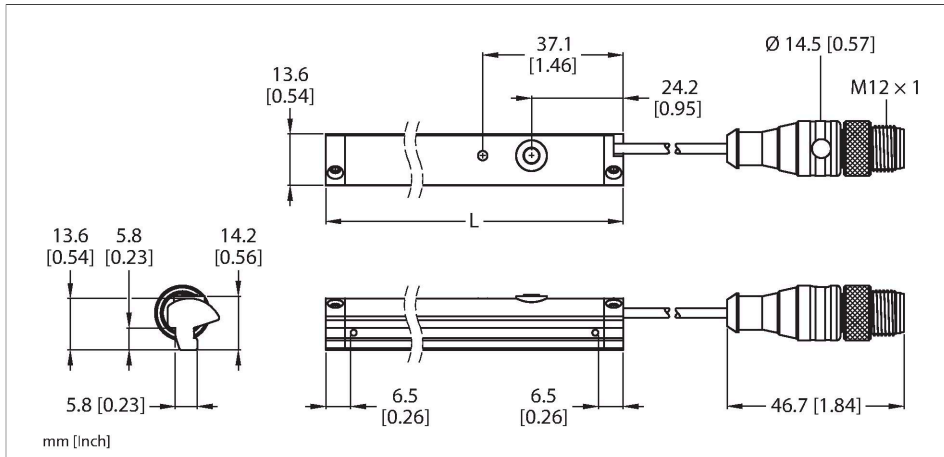


# WIM256-UNTL-IOL-0.3-RS4

## Magnetic Inductive Linear Position Sensor – For Analog Monitoring of Pneumatic Cylinders



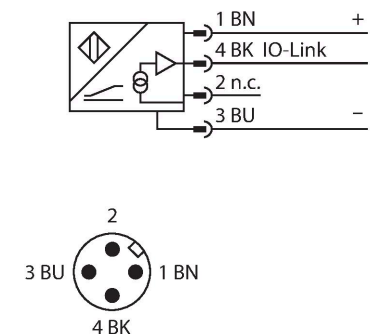
### Technical data

Type	WIM256-UNTL-IOL-0.3-RS4
ID	100034313
Remark to product	1 mm corresponds to 128 values in the IO-Link process data
Measuring principle	Magnetic
<b>General data</b>	
Measuring range	256 mm
Resolution	15 bit
Repeatability	≤ 0.06 % of measuring range  A — B
	With non-rotatable piston rod and at 25 °C
Linearity deviation	< 0.3 mm
Temperature drift	≤ ± 0.006 %/K
<b>Electrical data</b>	
Operating voltage $U_B$	15...30 VDC
Ripple $U_{rs}$	≤ 10 % $U_{Bmax}$
No-load current	≤ 25 mA
Isolation test voltage	0.5 kV
Short-circuit protection	yes
Wire break/reverse polarity protection	yes/Complete
Communication protocol	IO-Link
Output function	4-wire
<b>IO-Link</b>	
IO-Link specification	V 1.1

### Features

- Plastic, PA66-GF25
- For direct mounting on pneumatic T-groove cylinders
- Measuring range: 256 mm
- 4-wire, 15...30 VDC
- IO-Link 1.1
- COM2
- Teachable via IO-Link or button
- Cable with M12 × 1 male connector

### Wiring diagram



### Functional principle

The linear position sensors operate according to the Hall principle and provide an output signal proportional to the position of the piston rod of a pneumatic cylinder. This signal can be used to accomplish control tasks. The polarity of the magnet has no effect on the output signal. The

## Technical data

rugged sensors deliver optimal repeatability, resolution and linearity and offer a high level of electromagnetic compatibility, as well as a wide temperature range.

IO-Link port type	Class A
Minimum cycle time	2.3 ms
<b>Mechanical data</b>	
Design	Rectangular, UNTL
Dimensions	269 x 13.6 x 14.2 mm
Housing material	Plastic, PA66-GF25
Tightening torque fixing screw	0.25 Nm
Electrical connection	Cable with connector, M12 × 1
Cable quality	Ø 2.6 mm, Black, TPE, 0.3 m
	Halogen free, flame retardant acc. to VDE, below 0 °C stationary mounting of cable
Core cross-section	4 x 0.25 mm <sup>2</sup>
<b>Environmental conditions</b>	
Ambient temperature	-20...+70 °C
Vibration resistance	55 Hz (1 mm)
Shock resistance	30 g (11 ms)
Protection class	IP67
Display magnetic-field status	LED, yellow