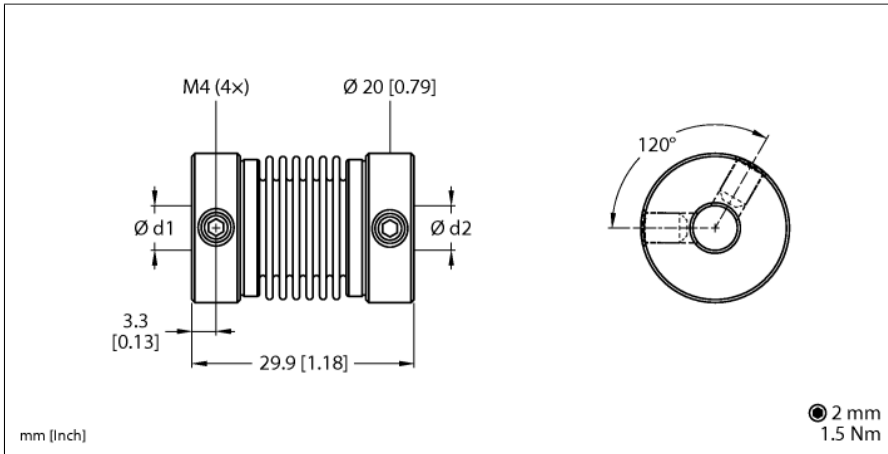


Accessories

Shaft Coupling Bellows Coupling

For Solid Shaft Encoders

RA-BC-20-10-12



Type	RA-BC-20-10-12
ID	100048783
Max. rotational speed	10,000 rpm
Ambient temperature	-40...+140 °C

Bellows coupling with aluminum hub \varnothing 20 mm
 Max. torque: 120 Ncm
 Max. shaft offset:
 Radial: ± 0.25 mm
 Axial: ± 0.4 mm
 Angular: $\pm 4^\circ$
 Torsion spring stiffness: 150 Nm/wheel
 Radial spring stiffness: 25 N/mm
 Moment of inertia: 8 gcm²
 Receptacle material: anodized aluminum
 Bellows material: stainless steel
 Bore diameter d1 = 10 mm, d2 = 12 mm