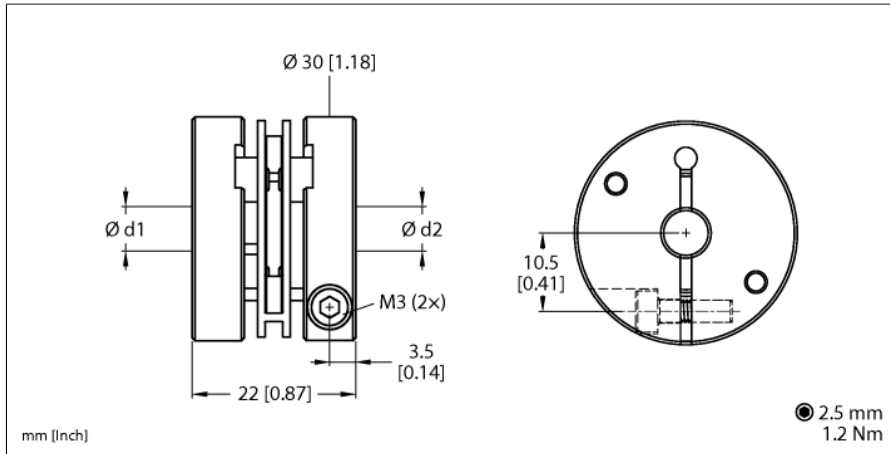


# Accessories

## Shaft Coupling Spring Disc Coupling For Solid Shaft Encoders

### RA-SDC-30-10-10



Type	RA-SDC-30-10-10
ID	100048792
Max. rotational speed	12,000 rpm
Ambient temperature	-10...+80 °C

Spring disc coupling with clamping hubs  $\varnothing$  30 mm  
 Max. torque: 60 Ncm  
 Max. shaft offset:  
 Radial:  $\pm 0.3$  mm  
 Axial:  $\pm 0.4$  mm  
 Angular:  $\pm 2.5^\circ$   
 Torsion spring stiffness: 30 Nm/wheel  
 Radial spring stiffness: 40 N/mm  
 Moment of inertia: 35 gcm<sup>2</sup>  
 Receptacle material: aluminum  
 Membrane: polyamide 6.6 glass-fiber reinforced  
 Bore diameter d1 = 10 mm, d2 = 10 mm