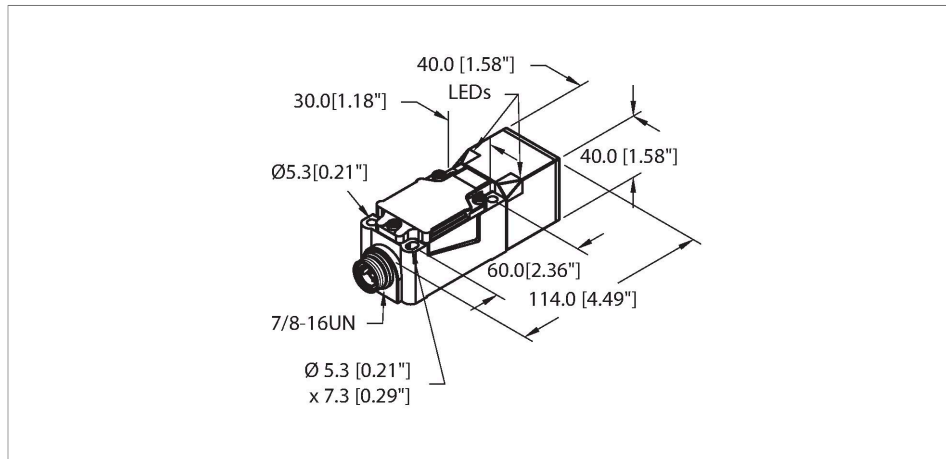


BI15-CP40-FZ3X2-B1131/S97

Inductive Sensor – With Extended Temperature Range



Features

- Rectangular, height 40 mm
- Variable orientation of active face in 9 directions
- Plastic, PBT-GF30-VO
- High-luminance corner LEDs
- Optimum view of operating voltage and switching state from any position
- Temperatures up to -40 °C
- AC 2-wire, 20...250 VAC
- DC 2-wire, 10...300 VDC
- NO contact
- 7/8" connector

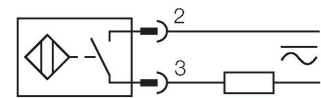
Technical data

Type	BI15-CP40-FZ3X2-B1131/S97
ID	1341098
Special version	S97 corresponds to: Minimum ambient temperature = -40 °C

General data	
Rated switching distance	15 mm
Mounting conditions	Flush
Secured operating distance	$\leq (0.81 \times S_n)$ mm
Correction factors	St37 = 1; Al = 0.3; stainless steel = 0.7; Ms = 0.4
Repeat accuracy	$\leq 2 \%$ of full scale $\leq \pm 20 \%$, $\leq -25 \text{ }^\circ\text{C}$
Hysteresis	3...15 %

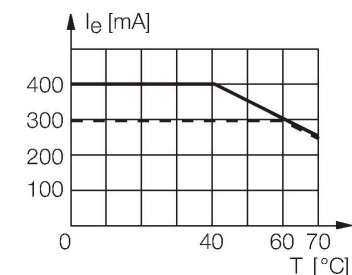
Electrical data	
Operating voltage	20...250 VAC
Operating voltage	10...300 VDC
AC rated operational current	≤ 400 mA
DC rated operational current	≤ 300 mA
Frequency	$\geq 50 \dots \leq 60$ Hz
Residual current	≤ 1.7 mA
Isolation test voltage	≤ 1.5 kV
Surge current	≤ 8 A (≤ 10 ms max. 5 Hz)
Voltage drop at I_o	≤ 6 V
Output function	2-wire, Connection programmable, 2-wire
Smallest operating current	≥ 3 mA

Wiring diagram



Functional principle

Inductive sensors detect metal objects contactless and wear-free. For this purpose they use a high-frequency electromagnetic AC field that interacts with the target. The sensors hosting a ferrite core coil generate the AC field through an LC resonant circuit. Special versions are available for ambient temperatures between -60°C and +250°C.



Technical data

Switching frequency	0.02 kHz
Mechanical data	
Design	Rectangular, CP40
Dimensions	114 x 40 x 40 mm
Housing material	Plastic, PBT-GF30-V0, Black
Active area material	Plastic, PBT-GF30-V0, yellow
Connector housing	metal
Electrical connection	Connector, 7/8"
Environmental conditions	
Ambient temperature	-40...+70 °C
Vibration resistance	55 Hz (1 mm)
Shock resistance	30 g (11 ms)
Protection class	IP67
MTTF	2283 years acc. to SN 29500 (Ed. 99) 40 °C
Power-on indication	2 × LEDs, Green
Switching state	2 × LEDs, Red

Mounting instructions

Mounting instructions/Description		
	Distance D	$2 \times B$
	Distance W	$3 \times S_n$
	Distance S	$1 \times B$
	Distance G	$6 \times S_n$
	Width active area B	40 mm

Accessories

JS025/037	69429
Adjusting bar for rectangular housings CK/CP40; material: VA 1.4301	

BSS-CP40	6901318
Mounting clamp for rectangular housings 40 x 40 mm; material: Polypropylene	