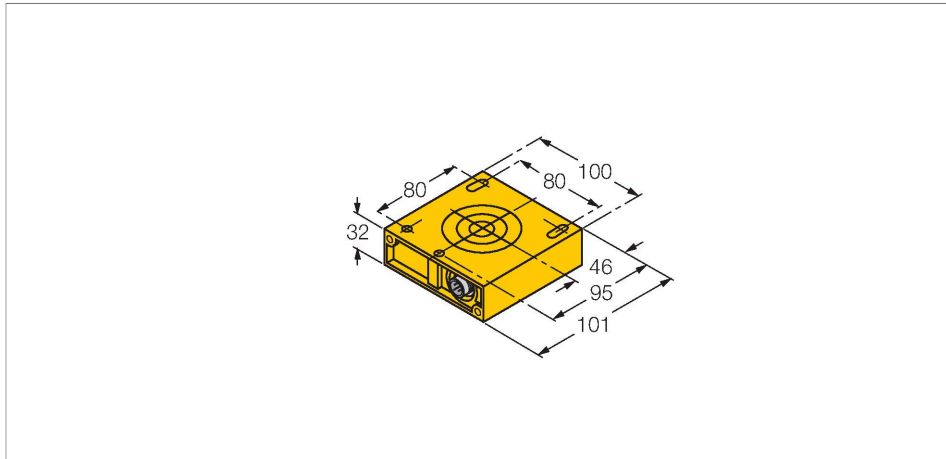


NI40F- Inductive Sensor – Probe



Features

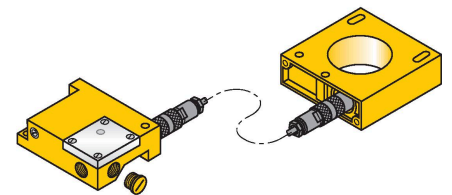
- Rectangular, height 32 mm
- Plastic, ABS

Functional principle

Inductive sensors detect metal objects contactless and wear-free. For this purpose they use a high-frequency electromagnetic AC field that interacts with the target. The sensors hosting a ferrite core coil generate the AC field through an LC resonant circuit.

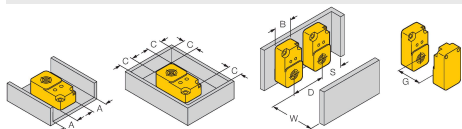
Technical data

| | |
|---------------------------------|------------------|
| Type | NI40F- |
| ID | 1430301 |
| General data | |
| pulse stop | ≥ 5 ms |
| Pulse duration at the output | ≥ 100 ms ± 20 % |
| Electrical data | |
| Mechanical data | |
| Design | Rectangular, S32 |
| Dimensions | 95 x 100 x 32 mm |
| Housing material | Plastic, ABS |
| Active area material | ABS |
| Coil body | plastic, ABS |
| Environmental conditions | |
| Ambient temperature | -25...+70 °C |
| Protection class | IP65 |



Mounting instructions

Mounting instructions/Description



| | |
|------------|--------|
| Distance D | 150 mm |
| Distance W | 150 mm |
| Distance S | 150 mm |
| Distance G | 150 mm |
| Distance N | 3 x Sn |

NI40F- | 02/21/2025 13-38 | technical changes reserved

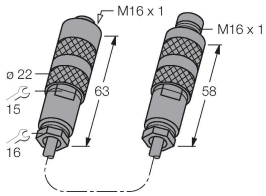
| | |
|------------|--------|
| Distance A | 2 x Sn |
|------------|--------|

| | |
|------------|--------|
| Distance C | 2 x Sn |
|------------|--------|

Accessories

ADAPTER CABLE RING 1.6M

14306



Adapter cable enables separate mounting of ring probe and switching amplifier; coax cable: RG58 C/U 50 Ohm