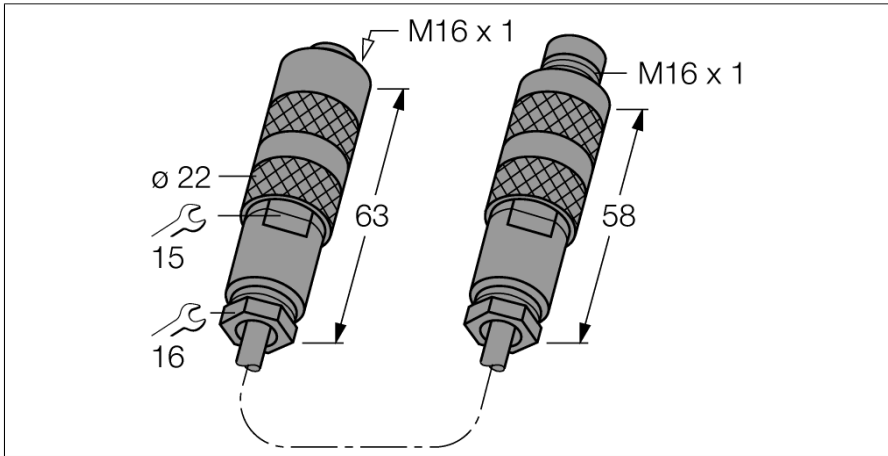


# Accessories

## Adapter Cable

### ADAPTER CABLE RING 1.6M



- Enables separate mounting of ring probe and switching amplifier
- Coax cable: RG58 C/U 50 Ohm

Type	ADAPTER CABLE RING 1.6M
ID	14306
Design	Accessories for ring sensors