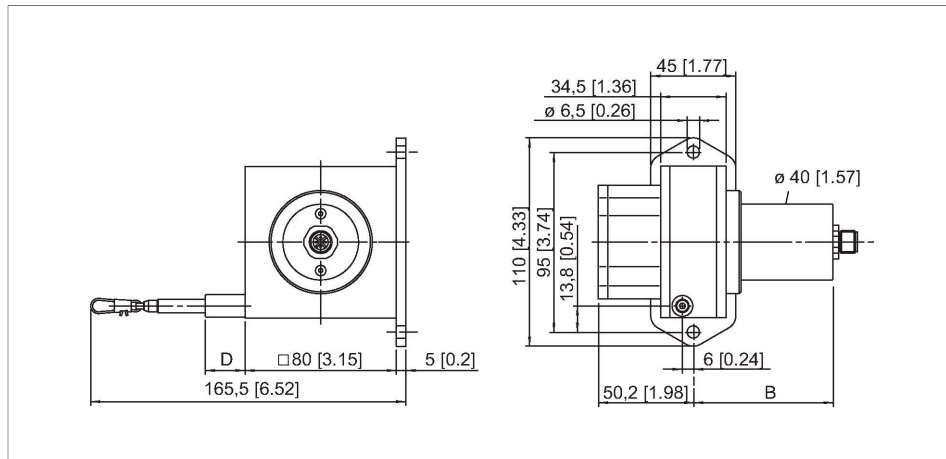


DW1000-110-7E-H1441

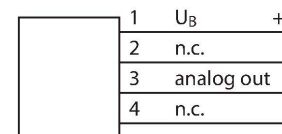
Draw-Wire



Features

- Measuring range up to 1000mm
- M12 connector
- Protection class: IP65 (Encoder)
- Analog output, 4...20 mA
- Supply voltage 12...30 VDC

Wiring diagram



Technical data

Type	DW1000-110-7E-H1441
ID	1544540
Remark to product	Turck description modified: previously DW...-H1141
General data	
Measuring range	1000 mm
Linearity deviation	≤ 0.1 %
Electrical data	
Operating voltage	12...30 VDC
Short-circuit protection	yes
Wire breakage/Reverse polarity protection	yes
Output function	4-pin, Analog output
Current output	4...20 mA
Mechanical data	
Design	Draw Wire
Housing material	Titanium anodized aluminium
min. extension force	6.9 N
max. extension force	8.3 N
max. extension speed	10 m/s
Pull acceleration max.	140 m/s ²
wire material	Stainless steel
Electrical connection	Connector, M12 × 1
Environmental conditions	
Ambient temperature	-20...+60 °C

Technical data

Protection class IP65

Signal	+U _B	-	Analog out	-	-	-	-	-	-
Pin configuration	1	2	3	4	-	-	-	-	-

Accessories

RDR-1

1544753

Deflection roller for aluminium draw-wire sensors

