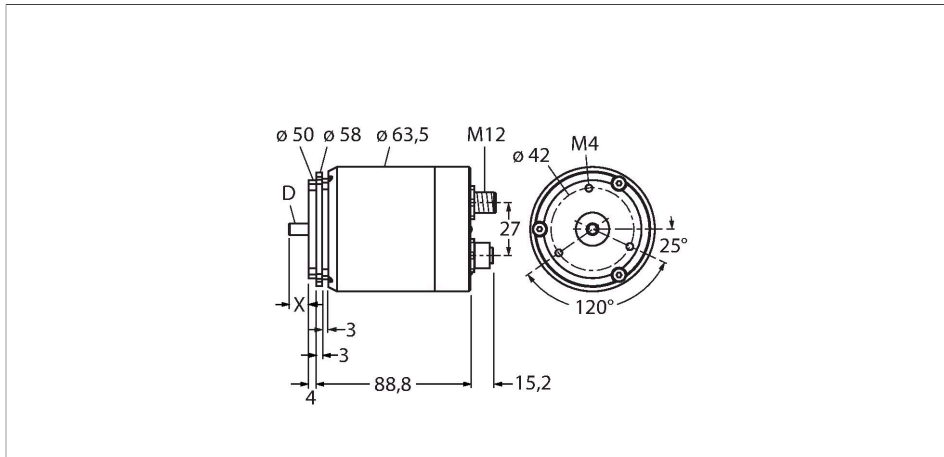


RM-89S6S-9B28B-B1M12

Absolute Rotary Encoder - Multiturn Industrial Line

Features

- Protection class IP67
- -40...+85 °C
- Max. 6000 rpm
- DeviceNet™
- Male 1 x M12
- Singleturn, 16 bit resolution
- Multiturn, 12 bit resolution



Technical data

Type	RM-89S6S-9B28B-B1M12
ID	1562097
Measuring principle	singleturn: resolver / multiturn: photoelectric
General data	
Max. Rotational Speed	6000 rpm
Output type	Absolute multiturn
Resolution singleturn	16 Bit
Resolution multiturn	12 Bit
Electrical data	
Operating voltage	11...25 VDC
Communication protocol	DeviceNet
Mechanical data	
Design	Solid shaft
Shaft Type	Solid shaft
Shaft diameter D [mm]	6
Shaft Length L [mm]	10
Shaft material	Stainless steel
Housing material	Powder-coated die-cast aluminium
Axial shaft load	88.96 N
Radial shaft load	177.93 N
Environmental conditions	
Ambient temperature	-40...+85 °C

Technical data

Vibration resistance (EN 60068-2-6)	5...2000 Hz, 20 g
Shock resistance (EN 60068-2-27)	50 g for 11 ms
Protection class housing	IP67
Protection class shaft	IP67