

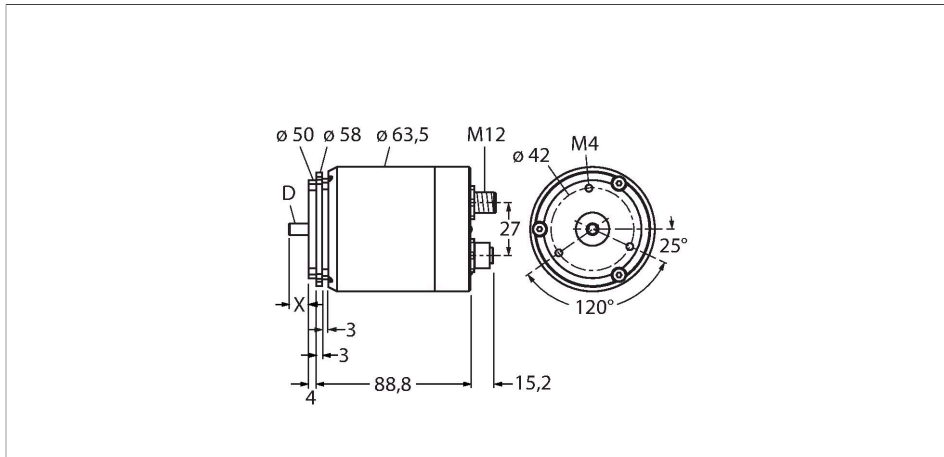
# RM-89S10S-9B28B-B2M12

## Absolute Rotary Encoder - Multiturn

### Industrial Line

### Features

- Protection class IP67
- -40...+85 °C
- Max. 6000 rpm(Continuous operation 3000 rpm)
- DeviceNet™
- Male 2 x M12
- Bus M12 Pin / BUS OUT M12 connector
- Singleturn, 16 bit resolution
- Multiturn, 12 bit resolution



### Technical data

Type	RM-89S10S-9B28B-B2M12
ID	1562098
Measuring principle	singleturn: resolver / multiturn: photoelectric
<b>General data</b>	
Max. rotational speed	6000 rpm
Output type	Absolute multiturn
Resolution singleturn	16 Bit
Resolution multiturn	12 Bit
<b>Electrical data</b>	
Operating voltage $U_b$	11...25 VDC
Communication protocol	DeviceNet
<b>Mechanical data</b>	
Shaft Type	Solid shaft
Shaft diameter D (mm)	10
Shaft Length L [mm]	20
Shaft material	Stainless steel
Housing material	Powder-coated die-cast aluminium
Axial shaft load	88.96 N
Radial shaft load	177.93 N
<b>Environmental conditions</b>	
Ambient temperature	-40...+85 °C
Vibration resistance (EN 60068-2-6)	5...2000 Hz, 20 g

## Technical data

Shock resistance (EN 60068-2-27)	50 g, 11 ms
Protection class housing	IP67
Protection class shaft	IP67