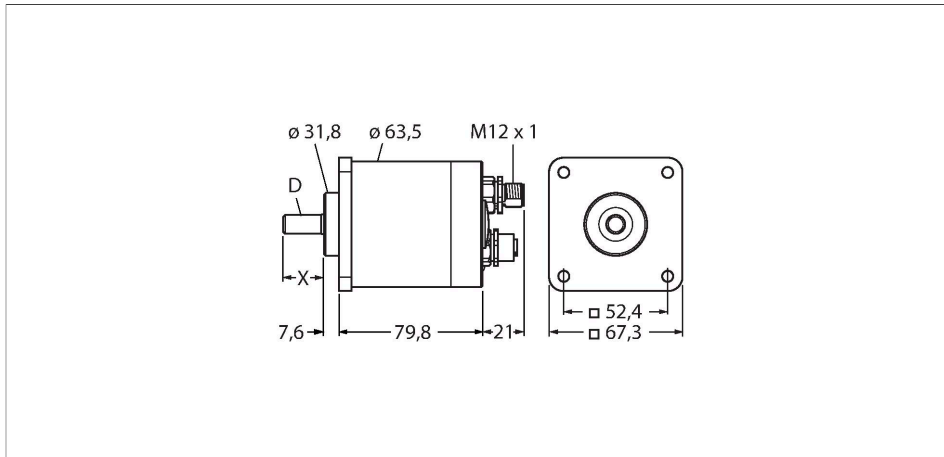


RM-89SA1R-9B28B-B2M12

Absolute Rotary Encoder - Multiturn Industrial Line

Features

- Protection class IP67
- -40...+85 °C
- Max. 6000 rpm (Continuous operation 3000 rpm)
- DeviceNet™
- Male 2 x M12
- Bus M12 Pin / BUS OUT M12 connector
- Singleturn, 16 bit resolution
- Multiturn, 12 bit resolution



Technical data

Type	RM-89SA1R-9B28B-B2M12
ID	1562100
Measuring principle	singleturn: resolver / multiturn: photoelectric
General data	
Max. rotational speed	6000 rpm
Output type	Absolute multiturn
Resolution singleturn	16 Bit
Resolution multiturn	12 Bit
Electrical data	
Operating voltage U_b	11...25 VDC
Communication protocol	DeviceNet
Mechanical data	
Shaft Type	Solid shaft
Shaft diameter D (mm)	9.5
Shaft Length L [mm]	30.5
Shaft material	Stainless steel
Housing material	Powder-coated die-cast aluminium
Axial shaft load	88.96 N
Radial shaft load	177.93 N
Environmental conditions	
Ambient temperature	-40...+85 °C
Vibration resistance (EN 60068-2-6)	5...2000 Hz, 20 g

Technical data

Shock resistance (EN 60068-2-27)	50 g, 11 ms
Protection class housing	IP67
Protection class shaft	IP67