

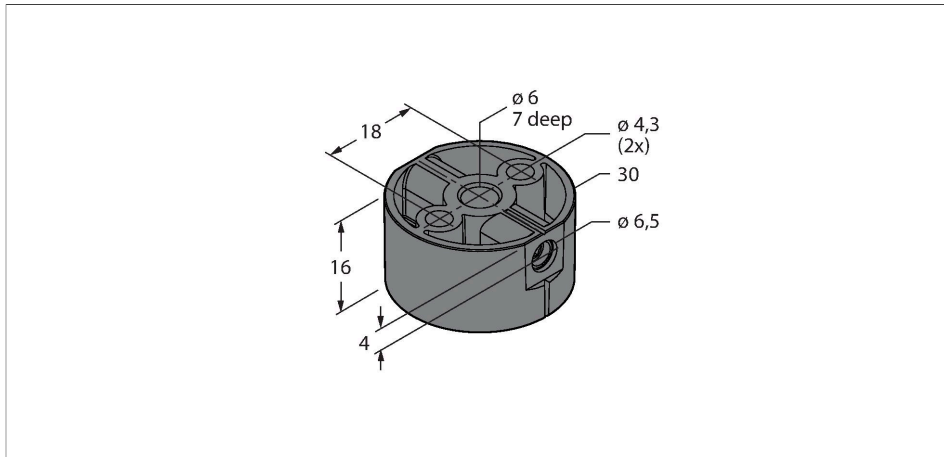
P1-RI-QR14

Accessories – Positioning Element

For Angle Sensors RI-QR14

Features

- Positioning element
- Hollow shaft, internal diameter 6 mm
- Incl. mounting option for shaft adapter



Technical data

Type	P1-RI-QR14
ID	1590812
Remark to product	vibration and shock resistance depends on the way the transducer is mounted.
Design	P1-Ri-QR14
Housing material	Plastic, PC
Ambient temperature	-40...+85 °C
Temperature changes (EN60068-2-14)	-40... +85 °C; 20 cycles
Vibration resistance	55 Hz (1 mm)
Vibration resistance (EN 60068-2-6)	20 g; 10...3000 Hz; 50 cycles; 3 axes
Shock resistance (EN 60068-2-27)	100 g; 11 ms ½ sine; 3 × each; 3 axes
Continuous shock resistance (EN 60068-2-29)	40 g; 6 ms ½ sine; 4000 × each; 3 axes
Salt spray test (EN 60068-2-52)	Severity degree 5 (4 test cycles)
Protection class	IP68 IP69K