

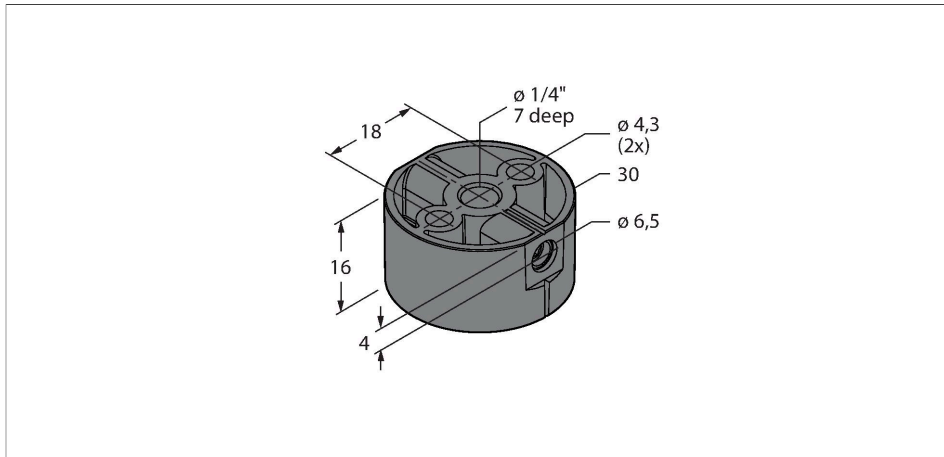
P2-RI-QR14

Accessories – Positioning Element

For Angle Sensors RI-QR14

Features

- Positioning element
- Hollow shaft, internal diameter 1/4"
- Incl. mounting option for shaft adapter



Technical data

Type	P2-RI-QR14
ID	1590819
Remark to product	vibration and shock resistance depends on the way the transducer is mounted.
Design	P2-Ri-QR14
Housing material	Plastic
Active area material	Plastic, PC-GF20
Ambient temperature	-40...+85 °C
Temperature changes (EN60068-2-14)	-40... +85 °C; 20 cycles
Vibration resistance (EN 60068-2-6)	20 g; 10...3000 Hz; 50 cycles; 3 axes
Shock resistance (EN 60068-2-27)	100 g; 11 ms 1/2 sine; 3 x each; 3 axes
Continuous shock resistance (EN 60068-2-29)	40 g; 6 ms 1/2 sine; 4000 x each; 3 axes
Salt spray test (EN 60068-2-52)	Severity degree 5 (4 test cycles)
Protection class	IP68 IP69K