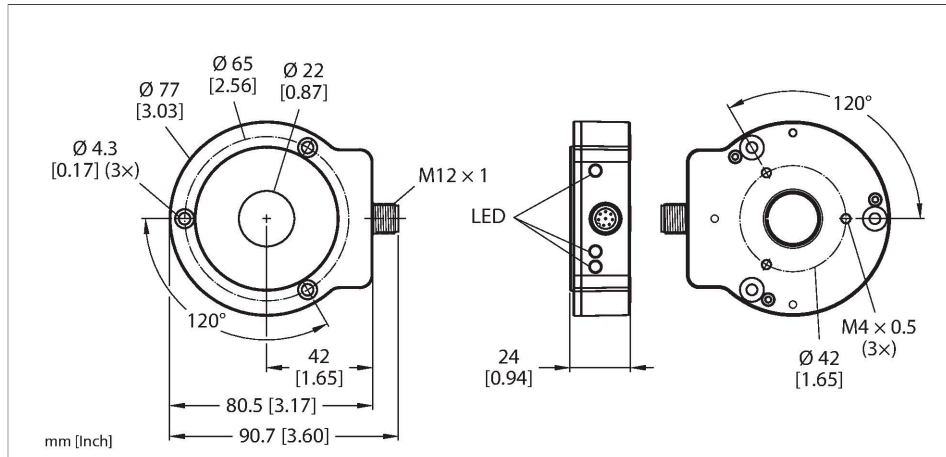


RI360P0-EQR24M0-HESG25X3-H1181

Contactless Encoder with Stainless Steel Housing – SSI Premium Line



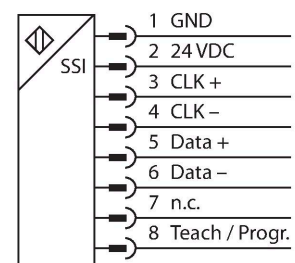
Technical data

Type	RI360P0-EQR24M0-HESG25X3-H1181
ID	1590911
Measuring principle	Inductive
General data	
Max. rotational speed	6000 rpm
Starting torque shaft load (radial / axial)	Determined with standardized construction, with a steel shaft Ø 20 mm, L = 50 mm and reducer Ø 20 mm
Measuring range	0...360 °
Nominal distance	1.5 mm
Repeat accuracy	≤ 0.01 % of full scale
Linearity deviation	≤ 0.05 % f.s.
Temperature drift	≤ ± 0.003 %/K
Output type	Absolute semi-multiturn
Resolution singleturn	16 bit/65,536 units per revolution
Resolution multiturn	6 bit/64 revolutions
Number of diagnostic bits	3 Bit
Electrical data	
Operating voltage U_B	15...30 VDC
Ripple U_{ss}	≤ 10 % U_{Bmax}
Isolation test voltage	0.5 kV
Wire break/reverse polarity protection	yes (voltage supply)

Features

- Compact, rugged housing
- Active face, plastic PA12-GF30
- Housing, stainless steel V4A (1.4404)
- Status displayed via LED
- SSI output
- 25 bit, Gray-coded
- SSI clock rate: 62.5 KHz ... 1 MHz
- Single or multiturn, length of data frame and bit coding parametrizable via PACTware with programming box USB-2-IOL-0002 and adapter cable RKC8.302T-1,5-RSC4T/TX320
- Default settings: Singleturn Bit 0 ... Bit 15, Multiturn Bit 16 ... Bit 21, Status Bit 22 ... Bit 24
- Zero point, sync./async. operating mode adjustable via Easy Teach
- Compatible with all standard SSI masters
- In sync. mode, jitter < 5 µs required on the master side
- Immune to electromagnetic interference
- 15...30 VDC
- Male M12 x 1, 8-pin

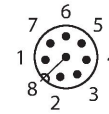
Wiring diagram



RI360P0-EQR24M0-HESG25X3-H1181 | 02/21/2025 14-54 | technical changes reserved

Technical data

Communication protocol	SSI
Output function	8-pin, 25 Bit, Gray coded
Process data area	configurable
Diagnostic bits	Bit 22: Position was changed during power drop Bit 23: Positioning element has reached the end of the measuring range. This is indicated by a lower signal quality. Bit 24: Positioning element is outside the measuring range.
DeviceNet input data	Data messages parametrizable as multiturn and singleturn process data or error bits
Sample rate	5000 Hz The sensor's sampling rate depends on the master's SSI cycle time. Sampling rate 1...5 KHz in synchronized operating mode (signal propagation delay 200 µs)
Current consumption	< 100 mA
Mechanical data	
Design	EQR24
Dimensions	81 x 78 x 24 mm
Flange type	Flange without mounting element
Shaft Type	Hollow shaft
Shaft diameter D (mm)	6 6.35 9.525 10 12 12.7 14 15.875 19.05 20
Housing material	Stainless-steel/Plastic, 1.4404 (AISI 316L)/PA12-GF30
Electrical connection	Connector, M12 × 1
Environmental conditions	
Ambient temperature	-25...+85 °C Acc. to UL approval to +70 °C
Vibration resistance	55 Hz (1 mm)
Vibration resistance (EN 60068-2-6)	20 g; 10...3000 Hz; 50 cycles; 3 axes
Shock resistance (EN 60068-2-27)	100 g; 11 ms ½ sine; 3 × each; 3 axes
Continuous shock resistance (EN 60068-2-29)	40 g; 6 ms ½ sine; 4000 × each; 3 axes
Protection class	IP68



Functional principle

The measuring principle of inductive encoders is based on oscillation circuit coupling between the positioning element and the sensor, whereby an output signal is provided proportional to the angle of the positioning element. Turck refers to semi-multiturn because the multiturn process data is calculated internally from the number of single-turn zero passes. Because the sensor does not detect any revolutions when not supplied with power, the plausibility of the multiturn process data is indicated by a diagnostic bit. The rugged sensors are maintenance- and wear-free thanks to the contactless operating principle. They convince through their excellent repeatability, resolution and linearity within a broad temperature range. The innovative technology ensures high immunity to electromagnetic DC and AC fields.

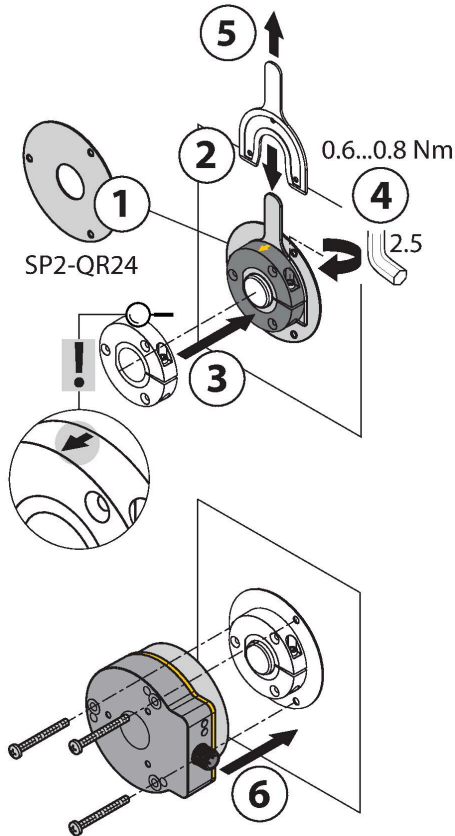
Technical data

	IP69K
MTTF	138 years acc. to SN 29500 (Ed. 99) 40 °C
Power-on indication	LED, Green
Measuring range display	LED, yellow, yellow flashing
Error indication	LED, red
Included in delivery	Adapter sleeve MT-QR24
UL certificate	E210608

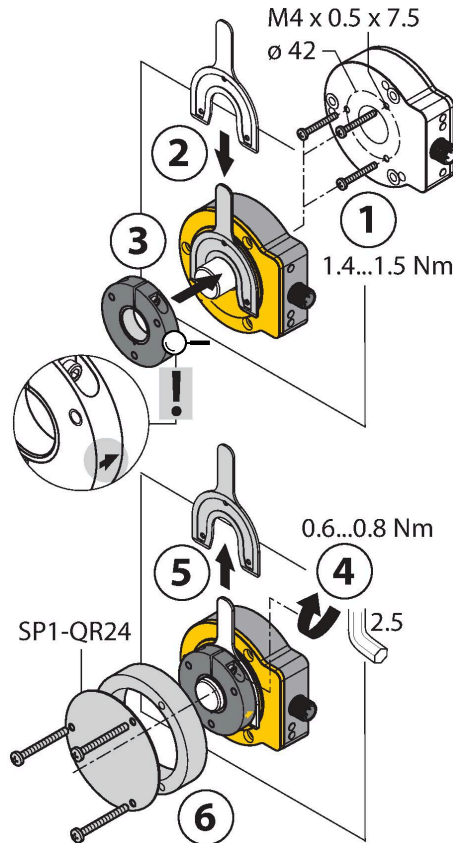
Mounting instructions

Mounting instructions/Description

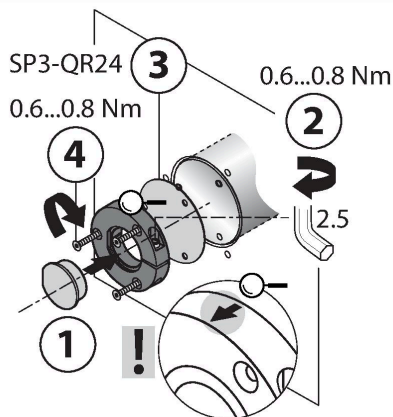
A



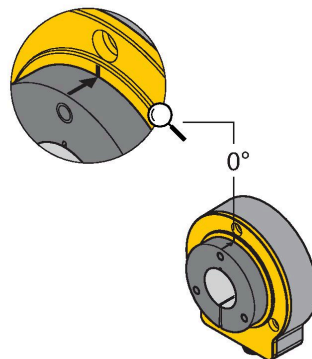
B



C



Default: 0°



Extensive range of mounting accessories for easy adaptation to many different shaft diameters. Based on the functional principle of RLC coupling, the encoder is immune to magnetized metal splinters and other interferences.

The adjacent figure shows the two separate units, sensor and positioning element.

Mounting option A:

First, interconnect positioning element and rotatable shaft. Then place the encoder above the rotating part in such a way that you get a tight and protected unit.

Mounting option B:

Push the encoder on the back site of the shaft and fasten it to the machine. Then clamp the positioning element to the shaft with the bracket.

Mounting option C:

If the positioning element is screwed on a rotating machine part and not to a shaft, you must first put on the dummy plug RA8-QR24. Then tie up the bracket. Screw on the encoder via the three bores.

When mounting, ensure that the positioning element is correctly aligned towards the sensor's active face. For correct fitting see arrow on the edge of the positioning element. (Arrow must point in direction of sensor)

Due to the separate installation of positioning element and sensor no electrical currents or harmful mechanical forces are transmitted via the shaft to the sensor. The encoder also offers a high degree of protection for life and stays permanently sealed.

The accessories enclosed in the delivery help to mount encoder and positioning element at an optimal distance from each other. LEDs indicate the switching status. Optionally, you can use the shield plates which are included in the accessories to increase the allowed distance between positioning element and sensor.

Status display via LED

green

Sensor is supplied properly, asynchronous mode

green flashing

Sensor is supplied properly, synchronous mode

green fast flashing: Sensor is supplied properly but is not receiving CLK pulses from the SSI master

yellow

Positioning element is in the measuring range, signal low (e.g. distance too large), see status bit 23

yellow flashing

Positioning element is outside the coverage, see status bit 24

off

Positioning element is in the measuring range

Multiturn error

red:
Position was changed during power drop, see
status bit 22

Parameters	Easy-Teach Input	LED Display	Description
Zero point	Bridge Pin 1 (GND) and Pin 8 for 2 s	Status LED flashes, after 2 s steady	Encoder position set to zero. The Multiturn flag and the red LED are reset
Switching between sync/async mode	Bridge Pin 2 (U _B) and Pin 8 for 2 s	Status LED flashes, after 2 s steady Power LED steady green: async mode, Power LED flashes green: sync mode	The encoder is by default set to asynchronous mode. The encoder switches between async/ sync mode by means of a teach pulse
Effective mode	Bridge Pin 2 (U _B) and Pin 8 for 10 s	After 10 s status LED flashes for 2 s	Effective direction of encoder CW (factory setting) Multiturn values are reset
	Bridge Pin 1 (GND) and Pin 8 for 10 s	After 10 s status LED flashes for 2 s	Effective direction of encoder CCW Multiturn values are reset
Multiturn error- flag	Bridge Pin 1 (GND) and Pin 8 for 15 s	After 15 s power and status LED alterante	Multiturn Error and multiturn counters are reset
Switching between single/multiturn mode	Bridge Pin 2 (U _B) and Pin 8 for 20 s	After 20 s the red LED flashes	Validity depends on revision status
Easy-Teach reset	Bridge Pin 2 (U _B) and Pin 8 for 15 s	After 15 seconds, power and status LED flash alternately; In case the red LED lights up, the Easy-Teach reset must be triggered again	The following factory defaults are restored: Effective direction (CW), zero point, multiturn error (delete), multiturn counter (zero)

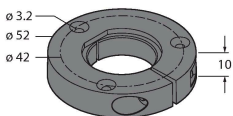
To avoid unintended teaching, keep pin 8 potential-free.

Accessories

PE1-EQR24

1590966

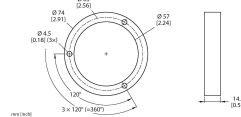
Positioning element with stainless steel compression fitting, without adapter sleeve



M5-QR24

1590965

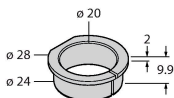
Plastic protecting ring for encoders RI-EQR24



RA1-EQR24

1593019

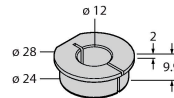
Stainless steel adapter sleeve, for Ø 20 mm shafts



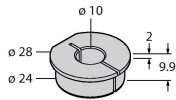
RA3-EQR24

1593020

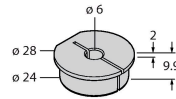
Stainless steel adapter sleeve, for Ø 12 mm shafts



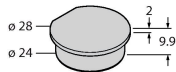
RA4-EQR24 1593023
Stainless steel adapter sleeve, for Ø 10 mm shafts



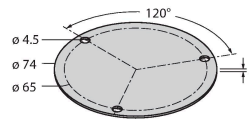
RA5-EQR24 10000375
Stainless steel adapter sleeve, for Ø 6 mm shafts



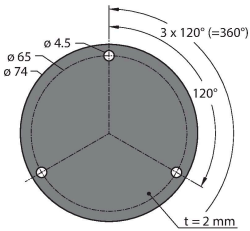
RA8-EQR24 10000289
Stainless steel plug for mounting option C



SP1-EQR24 1590979
Shield plate Ø 74 mm, stainless steel



SP5-QR24 100003689
Protective plate Ø 74 mm, plastic



Wiring accessories

Dimension drawing	Type	ID	
	RKC8T-2/TXL	6625142	Connection cable, M12 female connector, straight, 8-pin, cable length: 2 m, jacket material: PUR, black; cULus approval
	RKC8.302T-1.5-RSC4T/TXL320	6625003	Adapter cable to connect sensor to USB-2-IOL-0002 programming unit; M12 female connector, straight, 8-pin to M12 male connector, straight, 3-pin; cable length: 1.5 m; jacket material: PUR, black; cULus approved; RoHS compliant; protection class IP67

Dimension drawing

Type

E-RKC 8T-264-2

ID

U-04781

Connection cable, female M12, straight, 8-pin (twisted pairs), shielded, cable length: 2 m, sheath material: PVC, black; cULus approval; other cable lengths and qualities available, see www.turck.com

