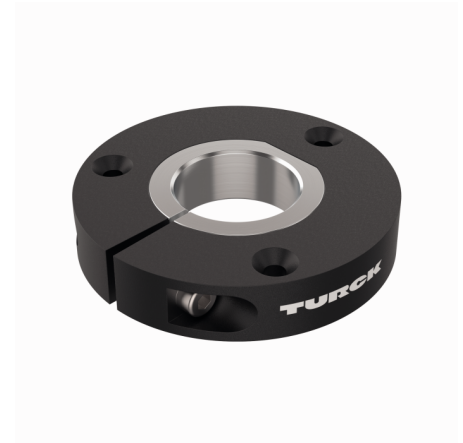
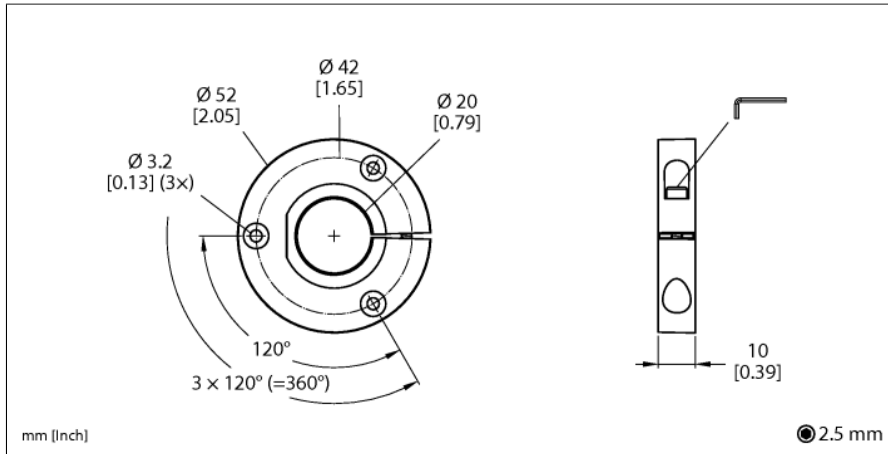


Accessories

Positioning Element

For Encoders RI-QR24

P1-RI-QR24



- Positioning element, for Ø 20 mm shafts

Type	P1-RI-QR24
ID	1590921
Housing material	Metal/plastic

Accessories

Type code	Ident-No.		Dimension drawing
P2-RI-QR24	1590922	Positioning element, for \varnothing 14 mm shafts	
P3-RI-QR24	1590923	Positioning element, for \varnothing 12 mm shafts	
P4-RI-QR24	1590924	Positioning element, for \varnothing 10 mm shafts	
P5-RI-QR24	1590925	Positioning element, for \varnothing 6 mm shafts	
P6-RI-QR24	1590926	Positioning element, for \varnothing 3/8" shafts	
P7-RI-QR24	1590927	Positioning element, for \varnothing 1/4" shafts	

Accessories

Type code	Ident-No.		Dimension drawing
P9-RI-QR24	1593012	Positioning element for installation on \varnothing 1/2" shafts	
P10-RI-QR24	1593013	Positioning element for installation on \varnothing 5/8" shafts	
P11-RI-QR24	1593014	Positioning element for installation on \varnothing 3/4" shafts	

Function accessories

Type code	Ident-No.		Dimension drawing
P8-RI-QR24	1590916	Positioning element with blanking plug for large shafts	
M1-QR24	1590920	Aluminum protecting ring, for inductive encoders RI-QR24	

Function accessories

Type code	Ident-No.		Dimension drawing
PE1-QR24	1590937	Positioning element without adapter sleeve	
RA1-QR24	1590928	Adapter sleeve, for Ø 20 mm shafts	
RA2-QR24	1590929	Adapter sleeve, for Ø 14 mm shafts	
RA3-QR24	1590930	Adapter sleeve, for Ø 12 mm shafts	
RA4-QR24	1590931	Adapter sleeve, for Ø 10 mm shafts	
RA5-QR24	1590932	Adapter sleeve, for Ø 6 mm shafts	

Function accessories

Type code	Ident-No.		Dimension drawing
RA6-QR24	1590933	Adapter sleeve, for Ø 3/8" shafts	
RA7-QR24	1590934	Adapter sleeve, for Ø 1/4" shafts	
RA9-QR24	1590960	Adapter sleeve, for Ø 1/2" shafts	
RA10-QR24	1590961	Adapter sleeve, for Ø 5/8" shafts	
RA11-QR24	1590962	Adapter sleeve, for Ø 3/4" shafts	
RA8-QR24	1590959	Plug for mounting option C	

Function accessories

Type code	Ident-No.		Dimension drawing
SP1-QR24	1590938	Shield plate Ø 74 mm, aluminium	
SP2-QR24	1590939	Shield plate Ø 74 mm, aluminium, with borehole for shaft feedthrough	
SP3-QR24	1590958	Shield plate Ø 52 mm, aluminium	
MT-QR24	1590935	Mounting aid for optimal alignment of positioning element	