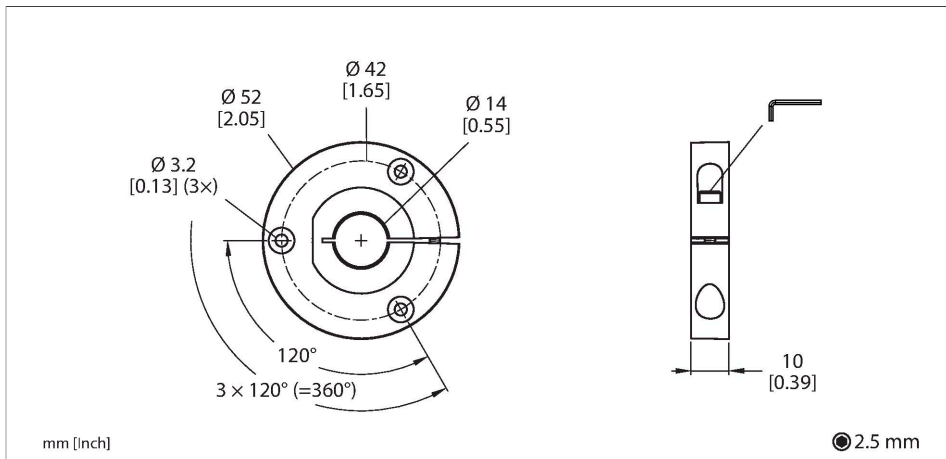


P4-RI-QR24

Accessories – Positioning Element For Encoders RI-QR24



Technical data

Type	P4-RI-QR24
ID	1590924
Housing material	Metal/plastic

Features

- Positioning element, for Ø 10 mm shafts