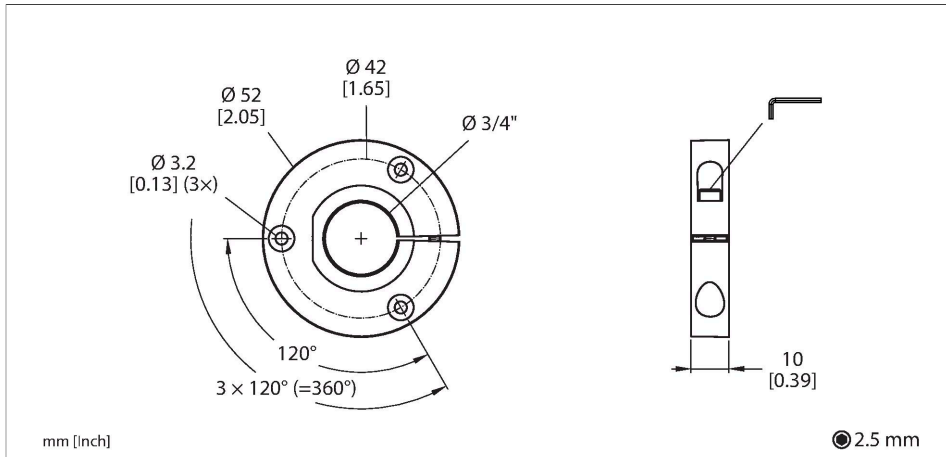


P11-RI-QR24

Accessories – Positioning Element For Encoders RI-QR24



Technical data

| | |
|------------------|---------------|
| Type | P11-RI-QR24 |
| ID | 1593014 |
| Housing material | Metal/plastic |

Features

- Positioning element, for Ø 3/4" shafts