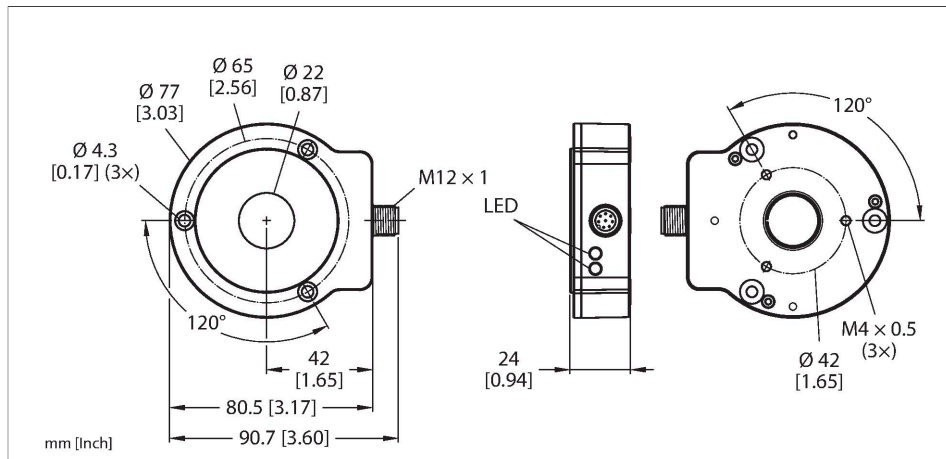


RI360P0-QR24M0-INCRX2-H1181/0064

Contactless Encoder – Incremental

Premium Line



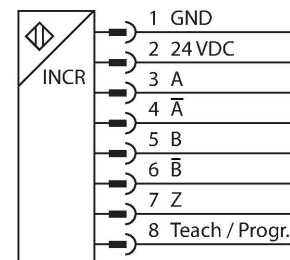
Technical data

Type	RI360P0-QR24M0-INCRX2-H1181/0064
ID	1593030
Remark to product	Factory resets lead to a pulse number of 1024
Measuring principle	Inductive
General data	
Max. Rotational Speed	10.000 (default) rpm
	Determined with standardized construction, with a steel shaft \varnothing 20 mm, L = 50 mm and reducer \varnothing 20 mm
Starting torque shaft load (radial / axial)	not applicable, because of contactless measuring principle
Nominal distance	1.5 mm
Repeat accuracy	≤ 0.01 % of full scale
Linearity deviation	≤ 0.05 % f.s.
Temperature drift	$\leq \pm 0.003$ %/K
Output type	Incremental
Resolution, incremental	64 ppr
Electrical data	
Operating voltage	10...30 VDC
Residual ripple	≤ 10 % U_{ss}
Isolation test voltage	≤ 0.5 kV
Short-circuit protection	yes / Cyclic
Wire breakage/Reverse polarity protection	yes / yes (voltage supply)

Features

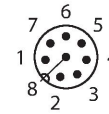
- Compact, rugged housing
- Many mounting possibilities
- Status displayed via LED
- Measuring range displayed via LED
- Immune to electromagnetic interference
- 64 pulses per revolution (default)
- 360, 512, 1000, 1024, 2048, 2500, 3600, 4096, 5000, parameterizable via Easy-Teach
- Free parametrization of the pulse count in the range from 1 to 5000 via PACTware™
- Position of z-track can be set via Easy-Teach
- Burst function, absolute angular position output incrementally via Easy-Teach pulse
- Max. output frequency: 200 kHz
- 10...30 VDC
- Male M12 x 1, 8-pin
- Push-pull A, B, Z, A (inverse), B (inverse)

Wiring diagram



Technical data

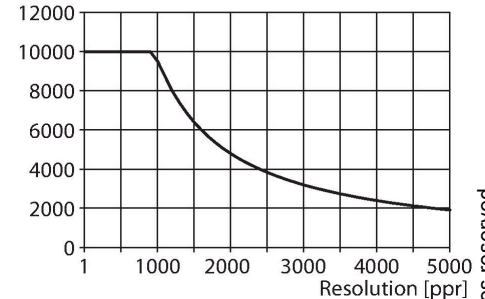
Pulse frequency max.	200 kHz
Signal level high	min. $U_b - 2 V$
Signal level low	max. 2.0 V
Output function	8-pin, Push-Pull/HTL
Sample rate	1000 Hz
Current consumption	< 100 mA
Mechanical data	
Design	QR24
Dimensions	81 x 78 x 24 mm
Flange type	Flange without mounting element
Shaft Type	Hollow shaft
Shaft diameter D [mm]	6 6.35 9.525 10 12 12.7 14 15.875 19.05 20
Housing material	Metal/plastic, ZnAlCu1/PBT-GF30-V0
Electrical connection	Connector, M12 x 1
Environmental conditions	
Ambient temperature	-25...+85 °C
	Acc. to UL approval to +70 °C
Vibration resistance	55 Hz (1 mm)
Vibration resistance (EN 60068-2-6)	20 g; 10...3000 Hz; 50 cycles; 3 axes
Shock resistance (EN 60068-2-27)	100 g; 11 ms ½ sine; 3 x each; 3 axes
Continuous shock resistance (EN 60068-2-29)	40 g; 6 ms ½ sine; 4000 x each; 3 axes
Protection class	IP68 IP69K
MTTF	138 years acc. to SN 29500 (Ed. 99) 40 °C
Power-on indication	LED, Green
Measuring range display	LED, yellow, yellow flashing
Included in delivery	MT-QR24 mounting aid



Functional principle

The measuring principle of inductive angle sensors is based on oscillation circuit coupling between the positioning element and the sensor, whereby an output signal is provided proportional to the angle of the positioning element. The rugged sensors are wear and maintenance-free, thanks to the contactless operating principle. They convince through their excellent repeatability, resolution and linearity within a broad temperature range. The innovative technology ensures a high immunity to electromagnetic DC and AC fields.

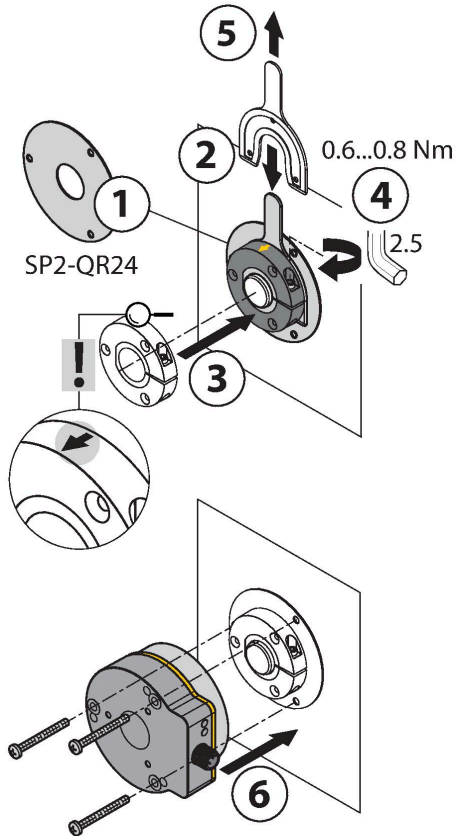
Rotation speed
[rpm]



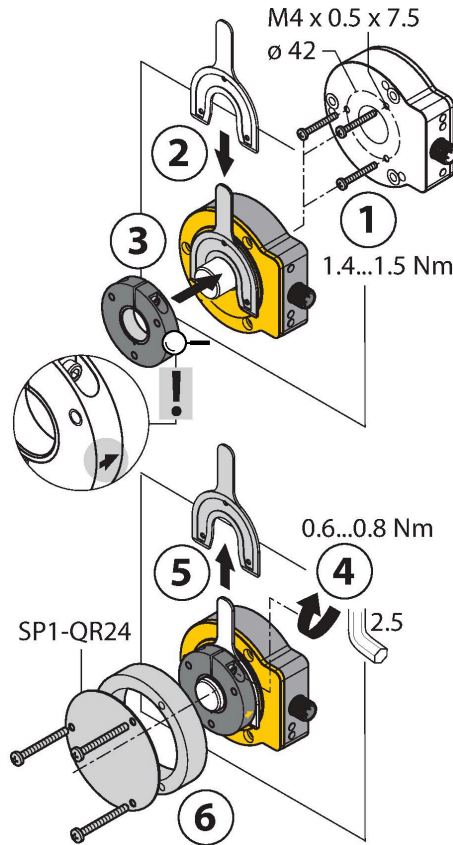
Mounting instructions

Mounting instructions/Description

A



B



Extensive range of mounting accessories for easy adaptation to many different shaft diameters. Based on the functional principle of RLC coupling, the sensor operates absolutely wear-free and is immune to magnetized metal splinters and other interference fields. Wrong installation is hardly possible.

The adjacent figure shows the two separate units, sensor and positioning element.

Mounting option A:

First, interconnect positioning element and rotatable shaft. Then place the encoder above the rotating part in such a way that you get a tight and protected unit.

Mounting option B:

Push the encoder on the back side of the shaft and fasten it to the machine. Then clamp the positioning element to the shaft with the bracket.

Mounting option C:

If the positioning element is to be screwed on a rotating machine part, use the RA0-QR24 plug which is included in the delivery. Then tie up the bracket. Screw on the encoder via the three bores.

The separately arranged sensor and positioning element inhibit that compensating currents or damaging mechanical loads are transmitted via the shaft to the sensor. In addition, the encoder remains tight and highly protected during its entire lifespan.

The accessories enclosed in the delivery help to mount encoder and positioning element at an optimal distance from each other. LEDs indicate the switching status.

Status display via LED

green steady:

Optimal sensor supply

yellow steady:

Positioning element has reached the end of the measuring range. This is indicated by a lower signal quality.

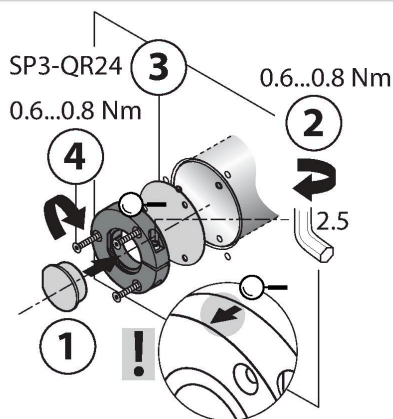
yellow flashing:

Positioning element is outside the measuring range.

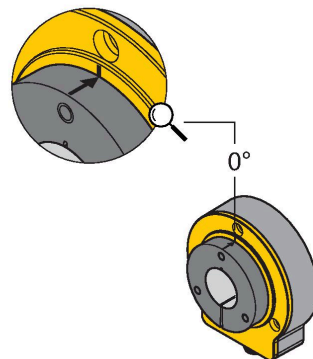
off:

Positioning element is in the measuring range.

C



Default: 0°



Individual Parameterization (Teaching with Positioning Element)

Jumper between teach input Pin 8	Gnd Pin 1	Ub Pin 2	LED
2 s	Z-track zero point teaching	One-time triggering of burst function	Status LED flashes then turns steady after 2 s
10 s	CCW rotation direction	CW rotation direction	After 10 s status LED flashes fast for 2 s
15 s	-	Factory setting (z-track, CW)	After 15 s power and status LED alternate

To avoid unintended teaching, keep pin 8 potential-free.

Preset Programming Mode (Teaching without Positioning Element)

Jumper between teach input Pin 8	Gnd Pin 1	Ub Pin 2	LED
	2 s Resolution setting mode active for 10 s	2 s Resolution setting mode active for 10 s	Status LED steady, flashes after 2 s as long as selection mode is active
360 pulses/360°	Start value		1 x flashing
512 pulses/360°	Press once		2 x flashing
1000 pulses/360°	Press twice		3 x flashing
1024 pulses/360°	Press three times		4 x flashing
2048 pulses/360°	Press four times		5 x flashing
2500 pulses/360°		Start value	1 x flashing
3600 pulses/360°		Press once	2 x flashing
4096 pulses/360°		Press twice	3 x flashing
5000 pulses/360°		Press three times	4 x flashing

To avoid unintended teaching, keep pin 8 potential-free.

Accessories

P1-RI-QR24 1590921

Positioning element, for Ø 20 mm shafts

P2-RI-QR24 1590922

Positioning element, for Ø 14 mm shafts

P3-RI-QR24 1590923

Positioning element, for Ø 12 mm shafts

P4-RI-QR24 1590924

Positioning element, for Ø 10 mm shafts

P5-RI-QR24 1590925

Positioning element, for Ø 6 mm shafts

P6-RI-QR24 1590926

Positioning element, for Ø 3/8" shafts

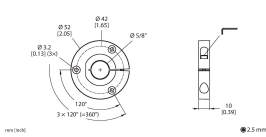
P7-RI-QR24 1590927

Positioning element, for Ø 1/4" shafts

P9-RI-QR24 1593012

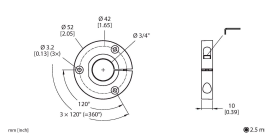
Positioning element for installation on Ø 1/2" shafts

P10-RI-QR24 1593013



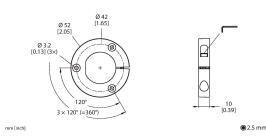
Positioning element for installation on Ø 5/8" shafts

P11-RI-QR24 1593014



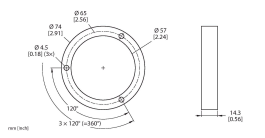
Positioning element for installation on Ø 3/4" shafts

P8-RI-QR24 1590916



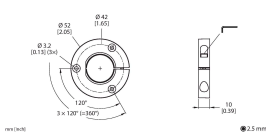
Positioning element with blanking plug for large shafts

M1-QR24 1590920



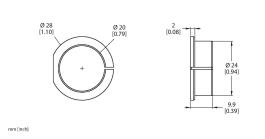
Aluminum protecting ring, for inductive encoders RI-QR24

PE1-QR24 1590937



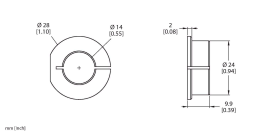
Positioning element without adapter sleeve

RA1-QR24 1590928



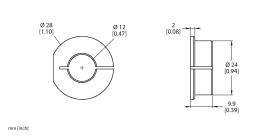
Adapter sleeve, for Ø 20 mm shafts

RA2-QR24 1590929



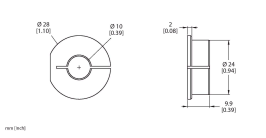
Adapter sleeve, for Ø 14 mm shafts

RA3-QR24 1590930



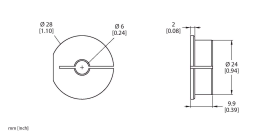
Adapter sleeve, for Ø 12 mm shafts

RA4-QR24 1590931



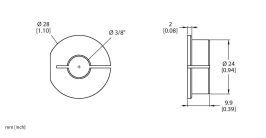
Adapter sleeve, for Ø 10 mm shafts

RA5-QR24 1590932



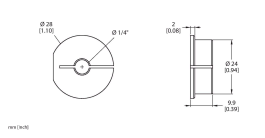
Adapter sleeve, for Ø 6 mm shafts

RA6-QR24 1590933



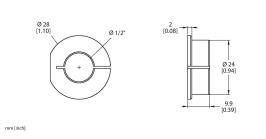
Adapter sleeve, for Ø 3/8" shafts

RA7-QR24 1590934



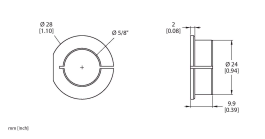
Adapter sleeve, for Ø 1/4" shafts

RA9-QR24 1590960



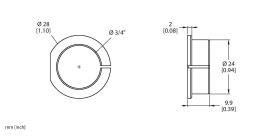
Adapter sleeve, for Ø 1/2" shafts

RA10-QR24 1590961



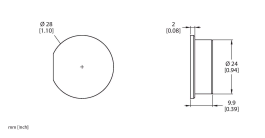
Adapter sleeve, for Ø 5/8" shafts

RA11-QR24 1590962



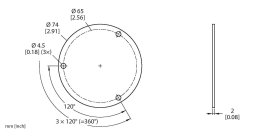
Adapter sleeve, for Ø 3/4" shafts

RA8-QR24 1590959



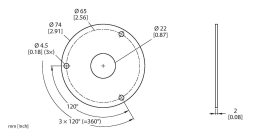
Plug for mounting option C

SP1-QR24 1590938



Shield plate Ø 74 mm, aluminium

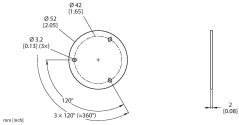
SP2-QR24 1590939



Shield plate Ø 74 mm, aluminium, with borehole for shaft feedthrough

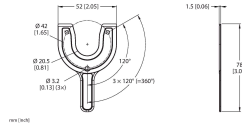
SP3-QR24 1590958

Shield plate Ø 52 mm, aluminium



MT-QR24 1590935

Mounting aid for optimal alignment of positioning element



Wiring accessories

Dimension drawing	Type	ID	
	RKC8T-2/TXL	6625142	Connection cable, M12 female connector, straight, 8-pin, cable length: 2 m, jacket material: PUR, black; cULus approval
	E-RKC 8T-264-2	U-04781	Connection cable, female M12, straight, 8-pin (twisted pairs), shielded, cable length: 2 m, sheath material: PVC, black; cULus approval; other cable lengths and qualities available, see www.turck.com
	RKC8.302T-1.5-RSC4T/TXL320	6625003	Adapter cable to connect sensor to USB-2-IOL-0002 programming unit; M12 female connector, straight, 8-pin to M12 male connector, straight, 3-pin; cable length: 1.5 m; jacket material: PUR, black; cULus approved; RoHS compliant; protection class IP67