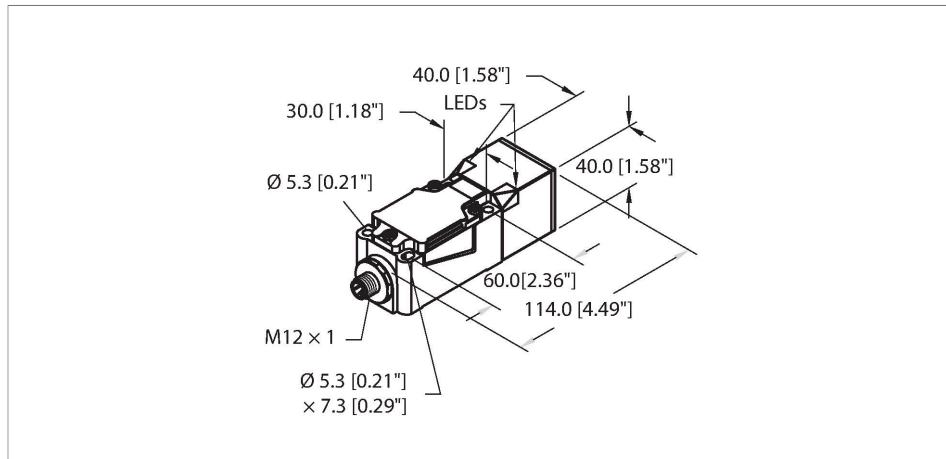


BI20U-CP40-AP6X2-H1141

Inductive Sensor – With Extended Switching Distance



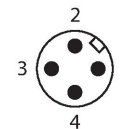
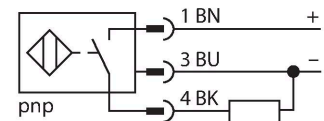
Features

- Rectangular, height 40 mm
- Variable orientation of active face in 9 directions
- Plastic, PBT-GF30-V0
- High luminance corner LEDs
- Optimum view on supply voltage and switching state from any position
- Factor 1 for all metals
- Protection class IP68
- Resistant to magnetic fields
- Large coverage
- High switching frequency
- DC 3-wire, 10...30 VDC
- NO contact, PNP output
- M12 x 1 male connector

Technical data

| | |
|---|-----------------------------|
| Type | BI20U-CP40-AP6X2-H1141 |
| ID | 1627235 |
| General data | |
| Rated switching distance | 20 mm |
| Mounting conditions | Flush |
| Secured operating distance | $\leq (0.81 \times S_n)$ mm |
| Repeat accuracy | $\leq 2\%$ of full scale |
| Temperature drift | $\leq \pm 10\%$ |
| Hysteresis | 3...15 % |
| Electrical data | |
| Operating voltage | 10...30 VDC |
| Residual ripple | $\leq 10\% U_{ss}$ |
| DC rated operational current | ≤ 200 mA |
| No-load current | 15 mA |
| Residual current | ≤ 0.1 mA |
| Isolation test voltage | ≤ 0.5 kV |
| Short-circuit protection | yes / Cyclic |
| Voltage drop at I_o | ≤ 1.8 V |
| Wire breakage/Reverse polarity protection | yes / Complete |
| Output function | 3-wire, NO contact, PNP |
| DC field stability | 300 mT |
| AC field stability | 300 mT _{SS} |
| Insulation class | □ |
| Switching frequency | 0.25 kHz |

Wiring diagram



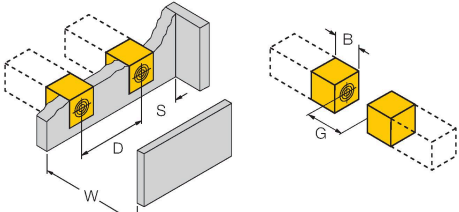
Functional principle

Inductive sensors are designed for wear-free and contactless detection of metal objects. uprox+ sensors have significant advantages due to their patented multi-coil system. They excel thanks to their optimum switching distances, maximum flexibility and operational reliability as well as efficient standardization.

Technical data

| Mechanical data | |
|--------------------------|---|
| Design | Rectangular, CP40 |
| Dimensions | 114 x 40 x 40 mm |
| Housing material | Plastic, PBT-GF30-V0, Black |
| Active area material | Plastic, PA6-GF30-X, yellow |
| Electrical connection | Connector, M12 × 1 |
| Environmental conditions | |
| Ambient temperature | -30...+85 °C |
| Vibration resistance | 55 Hz (1 mm) |
| Shock resistance | 30 g (11 ms) |
| Protection class | IP68 |
| MTTF | 874 years acc. to SN 29500 (Ed. 99) 40 °C |
| Power-on indication | 2 × LEDs, Green |
| Switching state | 2 × LEDs, Yellow |

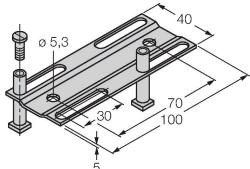
Mounting instructions

| Mounting instructions/Description | | |
|---|---------------------|--------|
|  | Distance D | 80 mm |
| | Distance W | 60 mm |
| | Distance S | 40 mm |
| | Distance G | 120 mm |
| | Width active area B | 40 mm |

Accessories

JS025/037 69429

Adjusting bar for rectangular housings CK/CP40; material: VA 1.4301



BSS-CP40 6901318

Mounting clamp for rectangular housings 40 x 40 mm; material: Polypropylene

