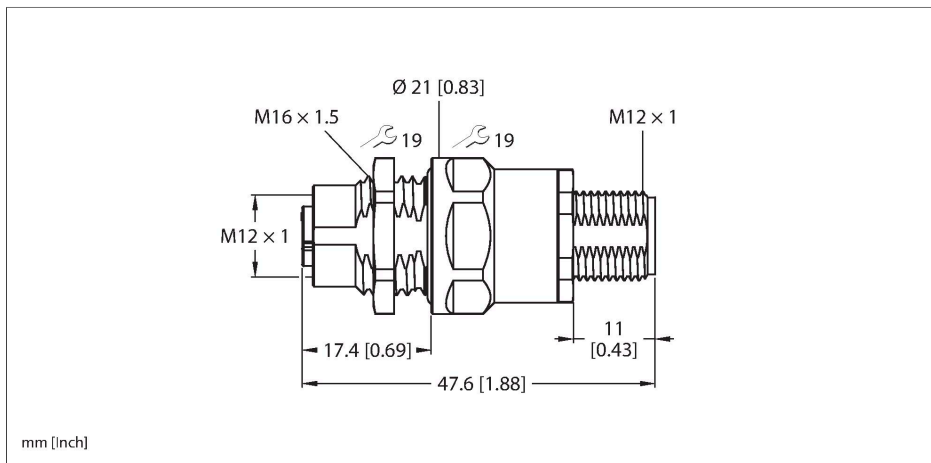


# FK FS 5PL/M16 Wall Feedthrough



## Technische Daten

|                                 |   |
|---------------------------------|---|
| Type                            | FK FS 5PL/M16   |
| ID                              | 200010013   |
| Connector A                     | Female, M12 × 1, Straight, L-code                         |
| Number of contacts              | 4+FE  |
| Contacts                        | Brass, CuZn, Gold-plated                                  |
| Contact carriers                | Plastic, PA, Black  |
| Connector body                  | Die-cast Zinc, GD-Zn, Silver                              |
| Coupling nut                    | Brass, CuZn, Nickel-plated                                |
| Tightening torque (range)       | 0.6 ... 0.8 Nm<br>(note max. torque of mating connector!) |
| Mechanical life                 | > 100 Mating cycles                                       |
| Protection class (When coupled) | IP67, (screwed together)                                  |
| Connector B                     | Male, M12 × 1, Straight, L-code                           |
| Number of contacts              | 4+FE  |
| Contacts                        | Brass, CuZn, Gold-plated                                  |
| Contact carriers                | Plastic, TPU, Black                                       |
| Connector body                  | Die-cast Zinc, GD-Zn, Silver                              |
| Coupling nut                    | Brass, CuZn, Nickel-plated                                |
| Tightening torque               | 0.6 ... 0.8 Nm (note max. torque of mating connector!)    |
| Mechanical life                 | > 100 Mating cycles                                       |
| Protection class (When coupled) | IP67, (Screwed together)                                  |
| Electrical properties at +20 °C |   |
| Rated voltage                   | 63 V  |
| Current                         | 16 A  |

## Features



- M12 female connector–M12 male connector
- L-coded, 4+FE
- RoHS compliant
- Protection class: IP67

## Contact assignment



## Technische Daten

### Mechanical and chemical properties

Ambient temperature range (static)      -30...+80 °C

---