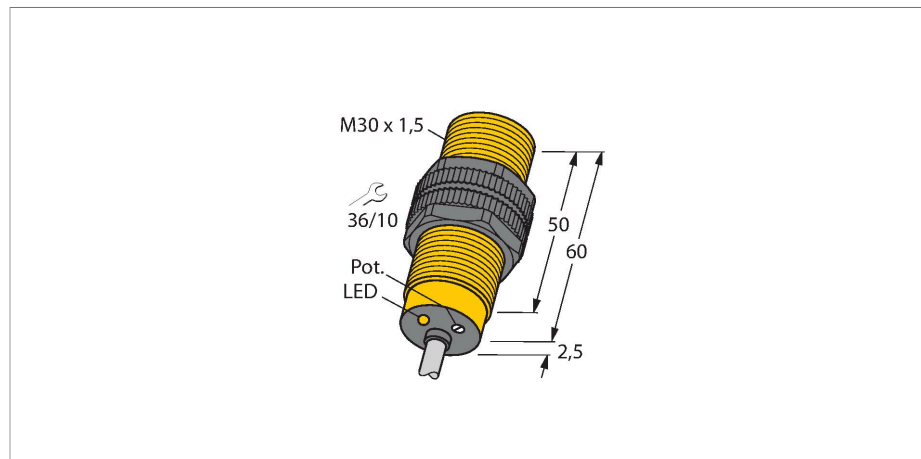


# BCF10-S30-AZ3X

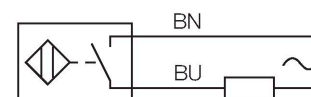
## Capacitive Sensor



### Features

- M30 × 1.5 threaded barrel
- Plastic, PA12-GF30
- Fine adjustment via potentiometer
- Increased EMI protection (even with high frequency equipment)
- Suited for highly viscous media
- AC 2-wire, 20...250 VAC
- NO contact
- Cable connection

### Wiring diagram



### Technical data

Type	BCF10-S30-AZ3X
ID	2506015
Rated switching distance (flush)	10 mm
Rated switching distance (non-flush)	10 mm
Secured operating distance	$\leq (0.72 \times Sn)$
Hysteresis	2...20 %
Temperature drift	Typical 20 %
Repeat accuracy	$\leq 2$ % of full scale
Ambient temperature	-25...+70 °C
<b>Electrical data</b>	
Operating voltage	20...250 VAC
AC rated operational current	$\leq 500$ mA
Frequency	$\geq 50... \leq 60$ Hz
Smallest operating current	$\geq 5$ mA
Residual current	$\leq 1.7$ mA
Switching frequency	0.02 kHz
Isolation test voltage	$\leq 1.5$ kV
Output function	2-wire, NO contact, 2-wire
Voltage drop at $I_o$	$\leq 7$ V
<b>Tests/approvals</b>	
<b>Mechanical data</b>	
Design	Threaded barrel, M30 x 1.5
Dimensions	62.5 mm

### Functional principle

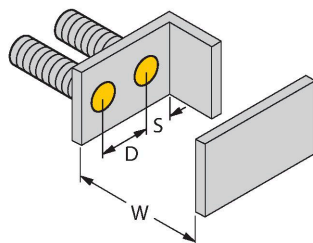
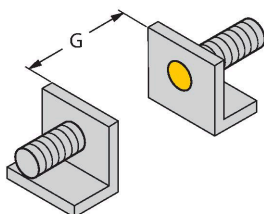
Capacitive proximity switches are designed for non-contact and wear-free detection of electrically conductive as well as non-conductive metal objects.

## Technical data

Housing material	Plastic, PA12-GF30, PEI
Active area material	PA12-GF30, yellow
Admissible pressure on front cap	≤ 3 bar
Max. tightening torque of housing nut	5 Nm
Electrical connection	Cable
Cable quality	Ø 5.2 mm, LifYY, PVC, 2 m
Core cross-section	2 x 0.34 mm <sup>2</sup>
Vibration resistance	55 Hz (1 mm)
Shock resistance	30 g (11 ms)
Protection class	IP67
MTTF	1080 years acc. to SN 29500 (Ed. 99) 40 °C
Power-on indication	Green
Switching state	LED, Red

## Mounting instructions

### Product features



Distance D	60 mm
------------	-------

Distance W	30 mm
------------	-------

Distance S	45 mm
------------	-------

Distance G	60 mm
------------	-------

Diameter active area B	Ø 30 mm
------------------------	---------

The given minimum distances have been checked against the standard switching distance.  
Should the sensitivity of the sensors be changed via potentiometer, the data sheet specifications no longer apply.