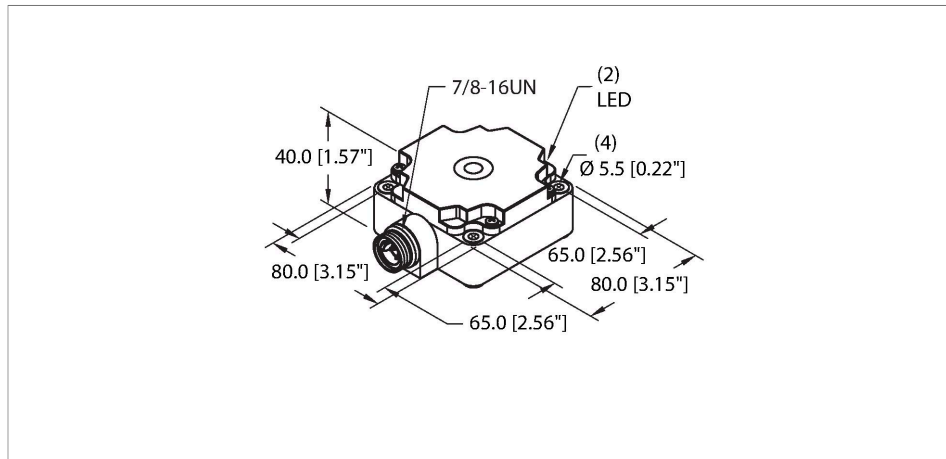


NI75U-CP80-FDZ30X2-B1131

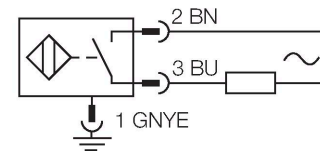
Inductive Sensor – With Increased Switching Distance



Features

- Rectangular, height 41 mm
- Plastic, PBT-GF30-V0
- Factor 1 for all metals
- Resistant to magnetic fields
- Large coverage
- Extended temperature range
- High switching frequency
- AC 2-wire, 20...250 VAC
- DC 2-wire, 10...300 VDC
- NO contact
- 7/8" connector

Wiring diagram

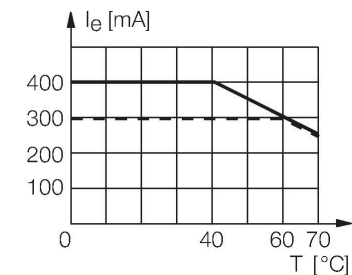


Technical data

Type	NI75U-CP80-FDZ30X2-B1131
ID	4280991
General data	
Rated switching distance	75 mm
Mounting conditions	Non-flush
Secured operating distance	$\leq (0.81 \times S_n)$ mm
Repeat accuracy	$\leq 2 \%$ of full scale
	$\leq \pm 15 \%$, $\leq -25 \text{ }^\circ\text{C}$ v $\geq +70 \text{ }^\circ\text{C}$
Hysteresis	3...15 %
Electrical data	
Operating voltage	20...250 VAC
Operating voltage	10...300 VDC
AC rated operational current	≤ 400 mA
DC rated operational current	≤ 300 mA
Frequency	$\geq 50 \dots \leq 60$ Hz
Residual current	≤ 1.7 mA
Isolation test voltage	≤ 1.5 kV
Surge current	≤ 3 A (≤ 20 ms max. 5 Hz)
Short-circuit protection	yes / Latching
Voltage drop at I_o	≤ 6 V
Wire breakage/Reverse polarity protection	yes / Complete
Output function	2-wire, Connection programmable, 2-wire
DC field stability	300 mT
AC field stability	300 mT _{ss}

Functional principle

Inductive sensors are designed for wear-free and contactless detection of metal objects. Approx Factor 1 sensors have significant advantages due to their patented ferrite-coreless multi-coil system. They detect all metals at the same large switching distance and are resistant to magnetic fields.

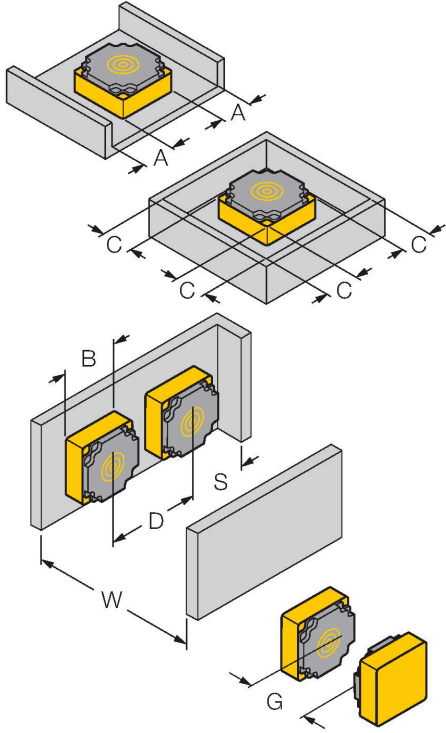


Technical data

Smallest operating current	≥ 3 mA
Insulation class	□
Switching frequency	0.01 kHz
Mechanical data	
Design	Rectangular, CP80
Dimensions	80 x 80 x 41 mm
Housing material	Plastic, PBT-GF30-V0
Active area material	PBT-GF30-V0
Electrical connection	Connector, 7/8"
Environmental conditions	
Ambient temperature	-30...+85 °C
Vibration resistance	55 Hz (1 mm)
Shock resistance	30 g (11 ms)
Protection class	IP67
MTTF	874 years acc. to SN 29500 (Ed. 99) 40 °C
Power-on indication	LED, Green
Switching state	LED, Yellow

Mounting instructions

Mounting instructions/Description



Distance D	$3 \times B$
Distance W	$3 \times S_n$
Distance S	$1.5 \times B$
Distance G	$6 \times S_n$
Distance A	$1 \times B$
Distance C	$1 \times B$
Width active area B	80 mm